

# 7708LRA, 7708LR-H

## Wideband RF Fiber Receiver with VistaLINK® and SmartMON™

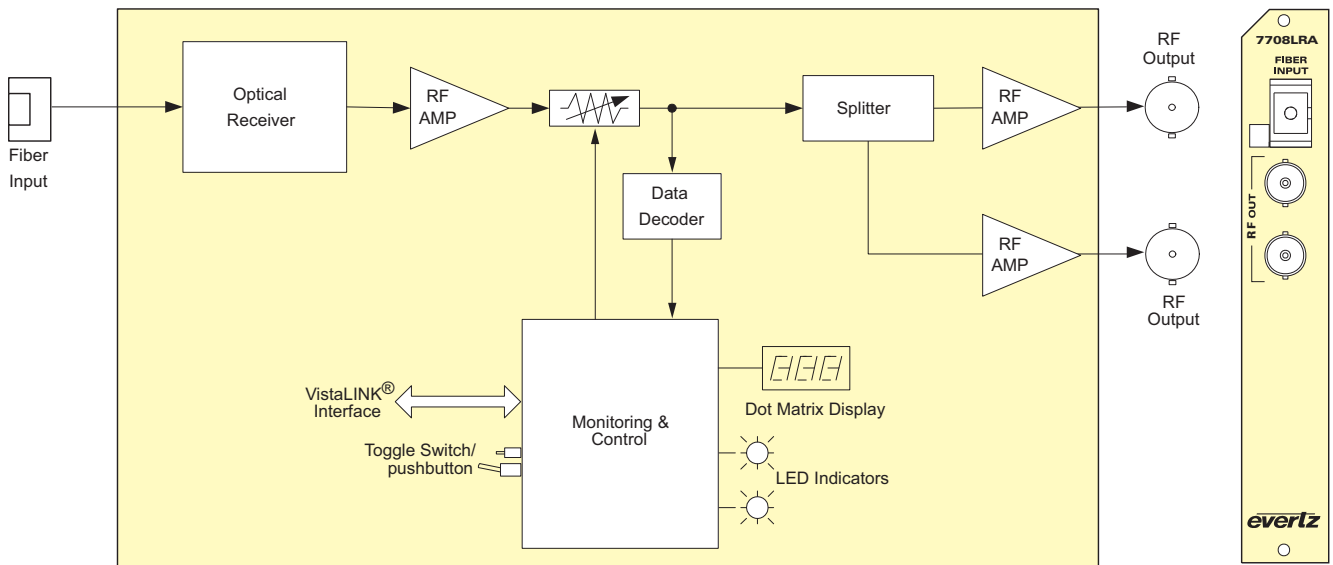


The 7708LRA/7708LR-H are VistaLINK®-capable fiber optic receivers for extended L-Band and other signals. They accept a fiber optic input from a companion transmitter and provide an electrical output signal. Monitoring and control of card status is provided locally at the card edge and remotely via VistaLINK®. SmartMON™ capability allows in-band monitoring data sent by a companion SmartMON™-enabled transmitter to be displayed locally or via SNMP/VistaLINK®.

The 7708LRA/7708LR-H occupies one card slot and can be housed in a 1RU frame that will hold up to four modules, a 3RU frame that will hold up to 15 modules, a 350FR portable frame that will hold up to seven modules or a standalone enclosure, which holds one module.

### Features & Benefits

- Protocol transparent — receives all video, audio and data modulation formats
- Supports manual, automatic (AGC), and intelligent (IGC) gain control modes
- IGC mode provides simple automatic compensation for fiber loss while output level tracks input level at SmartMON™-capable fiber transmitter
- Two buffered RF outputs for extra signal distribution or monitoring functions
- RF output independent of optical loss (within AGC/IGC gain range)
- Available with BNC, SMA or F-Type connector options
- Wide range optical input (1270–1610nm)
- Supports single-mode and multi-mode fiber optic cable (contact factory for multi-mode applications)
- Available with SC/UPC, ST/UPC, FC/UPC, SC/APC and FC/APC connector options
- Wide range adjustable gain in 0.5dB steps for fine-tuning signal levels
- 7708LR-H with high-sensitivity input for long-haul applications
- Fully hot-swappable from front of frame
- Comprehensive signal and card status monitoring via four digit card edge display or remotely through SNMP and VistaLINK®
- VistaLINK® capability is available when modules are used with the 3RU 7800FR or 350FR portable frame and a 7700FC VistaLINK® Frame Controller module in slot 1 of the frame
- SmartMON™ capability for display of monitored parameters from companion SmartMON™-capable fiber transmitters



### Specifications

<b>RF Outputs:</b>		<b>Available Gain:</b>	<b>Electrical:</b>
Number of Outputs:	2	7708LRA: -10 to +31.5dB in 0.5dB steps	Voltage: +12V DC
Connector:	BNC per IEC 61169-8 Annex A (F-type Optional)	7708LR-H: -10 to +28dB in 0.5dB steps	Power: 6W
I/O Impedance:	75Ω (50Ω optional) (See Ordering Information)	See System Performance Specifications of the chosen companion transmitter for more details.	EMI/RFI: Complies with FCC Part 15, Class A EU EMC Directive
Frequency Range:	7708LRA: 88MHz-3GHz 7708LR-H: 88MHz-2.3GHz	<b>Optical Input:</b>	<b>Physical (number of slots):</b>
Return Loss:	88MHz-2.3GHz: > 15dB 2.3-3GHz: > 12dB	Number of inputs: 1	350FR: 1
Output IP3:	+28dBm	Connector: Female SC/UPC, ST/UPC, FC/UPC, SC/APC, FC/APC	7700FR-C: 1
IMD:	< -55dBc at -3dBm output and 25dB gain	Operating Wavelength: 1270-1610nm	7800FR: 1
Output Signal Level:	Manual Gain: -10 to -65dBm (depending on input signal level, gain setting and optical loss)	Maximum Input Power:	
AGC mode:	-10 to -40dBm (adjustable, maintainable within available gain range)	7708LRA: +3dBm 7708LR-H: -7dBm	
		Optical Sensitivity:	
		7708LRA: -14dBm @ 35dB S/N on a 36MHz carrier 7708LR-H: -20dBm @ 35dB S/N on a 36MHz carrier	



**► Ordering Information**

<b>7708LRA</b>	L-Band Fiber Receiver with VistaLINK® and SmartMON™
<b>7780LRA-B50</b>	L-Band Fiber Receiver with VistaLINK® and SmartMON™, 50Ω BNC
<b>7780LRA-S50</b>	L-Band Fiber Receiver with VistaLINK® and SmartMON™, 50Ω SMA connectors
<b>7708LR-H</b>	High Sensitivity L-Band Fiber Receiver with VistaLINK® and SmartMON™
<b>7708LR-H-B50</b>	High Sensitivity L-Band Fiber Receiver with VistaLINK® and SmartMON™, 50Ω BNC connectors
<b>7708LR-H-S50</b>	High Sensitivity L-Band Fiber Receiver with VistaLINK® and SmartMON™, 50Ω SMA connectors

<b>Rear Plate Suffix</b>	
<b>+3RU</b>	3RU Rear Plate for use with 350FR, 7700FR-C or 7800FR Multiframe
<b>+1RU</b>	1RU Rear Plate for use with 7701FR Multiframe
<b>+SA</b>	Standalone Enclosure Rear Plate
<b>Enclosures</b>	
<b>350FR</b>	3RU Portable Multiframe which holds up to 7 single slot modules
<b>7700FR-C</b>	3RU Multiframe which holds up to 15 single slot modules
<b>7800FR</b>	3RU Multiframe which holds up to 15 single slot modules
<b>7801FR</b>	1RU Multiframe which holds up to 4 single or 2 dual slot modules
<b>7701FR</b>	1RU Multiframe which holds up to 3 single or dual slot modules
<b>S7701FR</b>	Standalone Enclosure

**Ordering Options** Rear Plate and Fiber Connector must be specified at time of order  
*(Eg. Model +3RU +SC)*

<b>Connector Suffix</b>	
<b>+SC</b>	SC/UPC
<b>+AP+SC</b>	SC/APC (Angle polished)
<b>+ST</b>	ST/UPC
<b>+FC</b>	FC/UPC
<b>+AP+FC</b>	FC/APC (Angle polished)
<b>+F75</b>	75Ω F-type connectors

*Note: 75Ω BNC Connectors are standard*

