

## FB500

### INMARSAT FLEETBROADBAND Maritime Antenna System



#### FEATURES

#### A MODERN, FULLY FEATURED FLEETBROADBAND TERMINAL WITH INTELLIAN QUALITY AND SUPPORT

Following the launch of the FleetOne and FB250 in October 2021, the FB500 completes the range of Intellian's modern FleetBroadband terminals. All three terminals use Inmarsat's latest L-band modem - the only L-band terminals that do so - and as the three terminals share a common hardware and software architecture the FB500 is already tried and tested. The FB500 has been designed to work equally well as part of an FX installation or as a full featured, stand-alone terminal.

#### ALL-IN-ONE STAND-ALONE SOLUTION

The FB500 terminal delivers unparalleled features and functionality that include: automatic switching between WAN and satellite connection, Wi-Fi antenna, built-in soft PABX and firewall. Bringing all these features together in one package simplifies installation and commissioning, and eliminates the possibility of conflicts that can occur when these features are provided using connected equipment.

#### LOWER TOTAL COST OF OWNERSHIP

Intellian focuses on delivering value to our customers through low total cost of ownership. This comes from building highly reliable terminals that are easy to install and have a wide range of features and functionality that reduces the amount of additional equipment required and minimizes air time costs through automatic WAN switching and preventing out of policy usage. Intellian's responsive global support teams are there to help if needed and the terminal comes with a market leading 3 year parts and 2 year labor warranty.

#### A PERFECT COMPANION

The FB500 can be paired with one of Intellian's Global Xpress (GX) terminals to provide an outstanding Fleet Xpress (FX) solution. It is easily integrated using Fleet Edge and comes with a comprehensive, documented API library.

#### SYSTEM HIGHLIGHTS

- ◆ Connects to Inmarsat's ELERA network using their latest L-band modem
- ◆ Designed for use as part of an FX installation or as a stand-alone terminal
- ◆ FX approved and softNSD qualified
- ◆ 'All in one' solution that includes:
  - Automatic switching between WAN and satellite connection
  - WiFi antenna and modem
  - firewall
  - soft PABX
- ◆ GMDSS ready (Maritime Safety Terminal compatible)
- ◆ Easy installation and commissioning
- ◆ AptusLX, intuitive yet powerful terminal management software

FB500 F4	CODE
Standard	F4-A500-S
Rack Type	F4-A500-R
<b>Standard</b>	ADU, BDU, Coaxial cable (30m / 98ft) DC power cable, Ethernet cable
<b>Rack Type</b>	Standard plus: AC/DC power adaptor, 19" rack mounting bracket

# FB500

## TECHNICAL SPECIFICATIONS

### PHYSICAL

ADU Dimensions	733 x 797 mm / 28.8" x 31.4"
ADU Weight	29.5 kg / 65 lb
BDU Dimensions	315 x 190 x 42 mm / 12.4" x 7.5" x 1.7"
BDU Weight	1.5 kg / 3.3 lb

### POWER

DC Input	10.8 ~ 30 V DC
Power (max)	120 W

### RF / ANTENNA

Tx Frequency	1626.5 MHz ~ 1675.0 MHz
Rx Frequency	1518.0 MHz ~ 1559.0 MHz
G/T	-7.0 dB/k
Antenna Connectors	N female (ADU) – TNC female (BDU)
Wi-Fi	802.11 b/g

### I/O

LAN	3x RJ45 (2x PoE)
WAN	1x RJ45 (Configurable LAN/WAN)
Analog Phone	1x RJ14 (2x Analog Phone)
Wireless	1x Wi-Fi (SMA RP)
General Purpose I/O	16 Pin GPIO

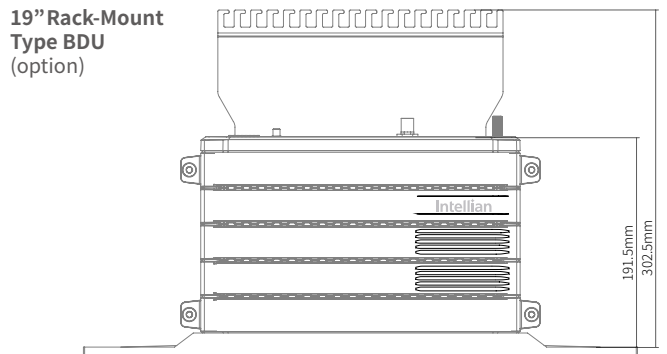
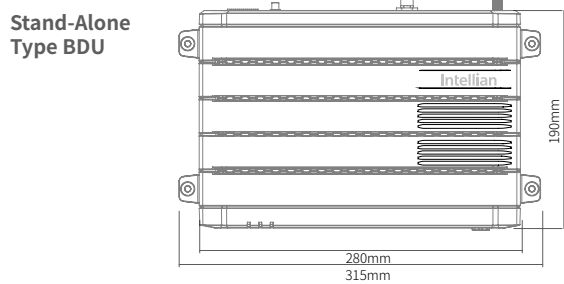
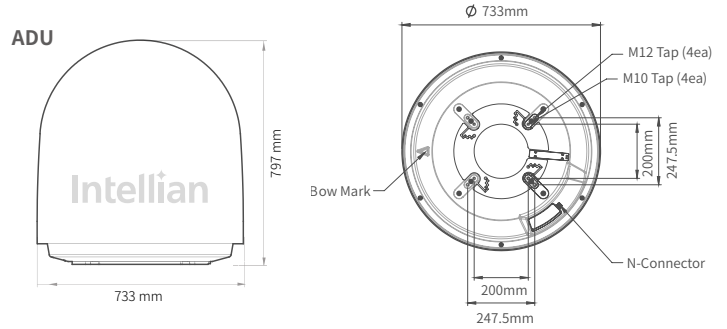
### ENVIRONMENTAL CONDITIONS

Operating Temperature	<b>ADU:</b> -25°C ~ + 55°C <b>BDU:</b> -15°C ~ + 55°C
Operating Humidity	> 95% non-condensing at +40°C
Water Ingress	<b>ADU:</b> IP56 <b>BDU:</b> IP31

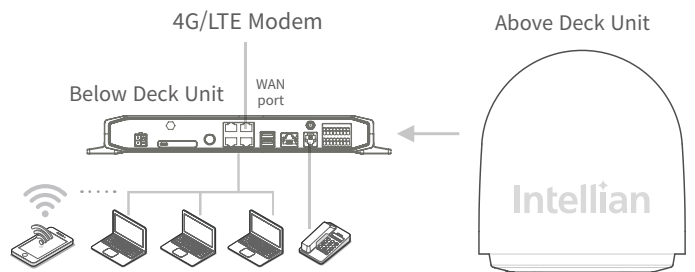
### INMARSAT SERVICES

Voice	1x Voice line
Standard IP	Up to 432 Kbps
Streaming IP	8, 16, 32, 64, 128, 256 Kbps
SMS	Up to 160 characters

## SYSTEM DIMENSION



## SYSTEM DIAGRAM



Esatcom Inc.  
www.esatcom.com

Tel:  
718.276.0800

Email:  
sales@esatcom.com

