

## FB250

### INMARSAT FLEETBROADBAND Maritime Antenna System



#### FEATURES

#### MARITIME TERMINAL FOR INMARSAT FLEETBROADBAND SERVICE

Intellian FB250 is the perfect companion to Inmarsat's Fleet-Broadband service which enables simultaneous voice and data connectivity up to 284 Kbps. Intellian FB250 ensures resilient and reliable connectivity at sea.

#### ALL-IN-ONE STAND-ALONE SOLUTION

The FB250 terminal delivers unparalleled features and functionality that include: automatic switching between WAN and satellite connection, Wi-Fi antenna, built-in soft PABX and firewall. Bringing all these features together in one package simplifies installation and commissioning, and eliminates the possibility of conflicts that can occur when these features are provided using connected equipment.

#### LOWER TOTAL COST OF OWNERSHIP

Intellian focuses on delivering value to our customers through low total cost of ownership. This comes from building highly reliable terminals that are easy to install and have a wide range of features and functionality that reduces the amount of additional equipment required and minimizes air time costs through automatic WAN switching and preventing out of policy usage. Intellian's responsive global support teams are there to help if needed and the terminal comes with a market leading 3 year parts and 2 year labor warranty.

#### A PERFECT COMPANION

The FB250 can be paired with one of Intellian's Global Xpress (GX) terminals to provide an outstanding Fleet Xpress (FX) solution. It is easily integrated using Fleet Edge and comes with a comprehensive, documented API library.

#### SYSTEM HIGHLIGHTS

- ◆ Connects to Inmarsat's ELERA network using their latest L-band modem
- ◆ Designed for use as part of an FX installation or as a stand-alone terminal
- ◆ FX approved and softNSD qualified
- ◆ 'All in one' solution that includes:
  - Automatic switching between WAN and satellite connection
  - WiFi antenna and modem
  - firewall
  - soft PABX
- ◆ GMDSS ready (Maritime Safety Terminal compatible)

FB250	CODE
Standard	F4-A250-S
Rack Type	F4-A250-R
<b>Standard</b>	ADU, BDU, Coaxial Cable (25m / 82ft), Quick Installation Guide, Installation Template, DC Power Cable, Ethernet Cable
<b>Rack Type (option)</b>	AC/DC Power Adaptor, Rack Conversion Bracket

## FB250

### TECHNICAL SPECIFICATIONS

#### PHYSICAL

ADU Dimensions	291.1 x 294.5 mm / 11.5" x 11.6"
ADU Weight	4.9 kg / 10.8 lb
BDU Dimensions	280 x 190 x 41 mm / 11.0" x 7.5" x 1.45"
BDU Weight	1.2 kg / 2.6 lb

#### POWER

DC Input	10.8 ~ 30 V DC
Power (max)	120 W

#### RF / ANTENNA

Tx Frequency	1626.5 MHz ~ 1675.0 MHz
Rx Frequency	1518.0 MHz ~ 1559.0 MHz
G/T	-15.5 dB/K
Antenna Connectors	TNC female (ADU) – TNC female (BDU)
Wi-Fi	802.11 b/g

#### I/O

LAN	3x RJ45 (2x PoE)
WAN	1x RJ45 (Configurable LAN/WAN)
Analog Phone	1x RJ14 (2x Analog Phone)
Wireless	1x Wi-Fi (SMA RP)
General Purpose I/O	10 Pin GPIO

#### ENVIRONMENTAL CONDITIONS

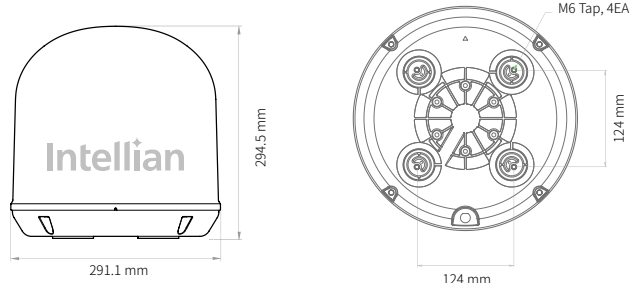
Operating Temperature	<b>ADU:</b> -25°C ~ + 55°C <b>BDU:</b> -15°C ~ + 55°C
Operating Humidity	> 95% non-condensing at +40°C
Water Ingress	<b>ADU:</b> IP56 <b>BDU:</b> IP31

#### INMARSAT SERVICES

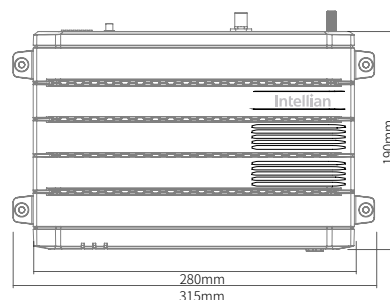
Voice	1x Voice line
Standard IP	Up to 284 Kbps
Streaming IP	8, 16, 32, 64, 128 Kbps
SMS	Up to 160 characters

### SYSTEM DIMENSION

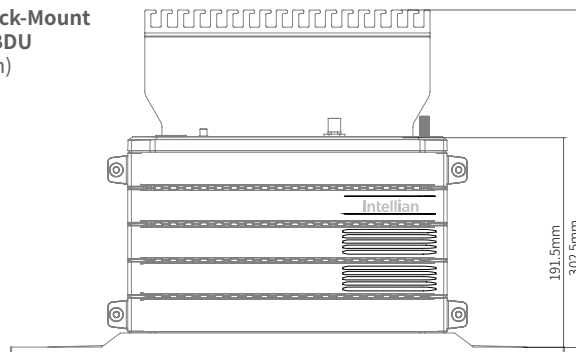
#### ADU



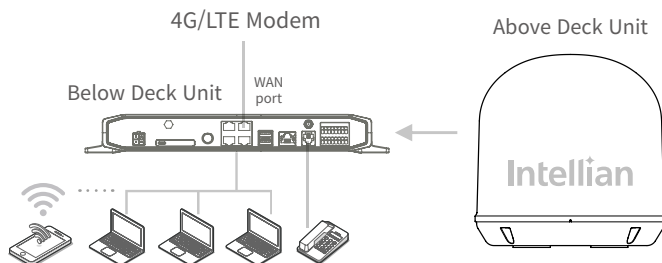
#### Stand-Alone Type BDU



#### 19" Rack-Mount Type BDU (option)



### SYSTEM DIAGRAM



Esatcom Inc.  
www.esatcom.com

Tel:  
718.276.0800

Email:  
sales@esatcom.com

Part No. 2023\_FB250-DS0322

