

G X 6 0 N X

ALL NEW 65CM Maritime Global Xpress Terminal



FEATURES

COMPACT AND LIGHTWEIGHT

GX60NX is the compact and light GX Terminal. It provides easy and convenient installation in order for the user to reduce the total cost of ownership. Even though the weight is dramatically reduced, the terminal performance is maintained. While still guaranteeing reliability in the harshest sea conditions.

NEW ALL-IN-ONE BELOW DECK TERMINAL

The all-new GX BDT integrates the ACU, GX modem, power supply, 4-port switch, and GX Mediator. This 1U 19" rack size BDT is easy to install in an FX rack, reducing installation time and cost. setup, and with enhanced diagnostic capabilities the AptusNX can send an alert to the operator when preventative maintenance is required.

2.5GHZ WIDEBAND KA READY

The GX60NX uses a 2.5GHz wideband Ka tuned Radome & Reflector, supporting high speed Ka band services covering the full Ka band used on the latest commercial satellites.

SINGLE COAXIAL CABLE

The GX60NX integrates RF and power signals into one standard coaxial cable, carrying Tx, Rx, DC power, data and reference signals between the antenna and the BDT.

HIGH POWER BUC UPGRADABLE

The GX60NX can be easily upgraded with the 10W High Power BUC. There is no need to replace the BDT and no additional components are required. Simply upgrade to the 10W BUC to enjoy higher throughput service.

NEW APTUSNX

Intellian's all new integrated M&C platform, AptusNX provides a responsive user interface to manage and control the antenna system regardless of device types. It enables advanced alerts from the live data monitoring and analysis agent. The GX60NX sends warning messages to the NOC when it detects any abnormal operation providing preventative maintenance warnings.

GX60NX

TECHNICAL SPECIFICATIONS

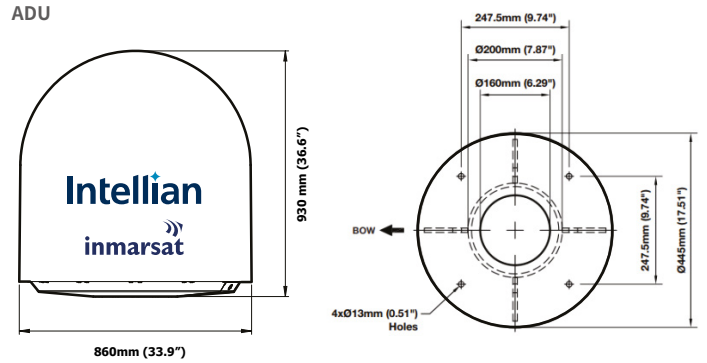
ABOVE DECK UNIT

Radome Height	93.0 cm / 36.6"
Radome Diameter	86.0 cm / 33.9"
Reflector Diameter	65 cm / 25.6"
Weight	39 kg / 86 lbs
Azimuth Range	Unlimited
Elevation Range	-20° to 115°
Cross-level Range	± 37°
Stabilization Accuracy	0.2° peak mispointing @max ship motion condition
Tx Frequency	29.0 ~ 30.0 GHz Ka-band
Tx Gain	44.2 dBi @ 29.5 GHz w/o Radome
Rx Frequency	19.2 ~ 20.2 GHz Ka-band
Rx Gain	40.5 dBi @ 19.7 GHz w/o Radome
G/T	≥ 16.2 dB/K @ EL 10° w/ Radome
BUC Power	5W / 10W
Sidelobe	Meet FCC 25.218
Polarization	Circular (Tx: RHCP, Rx: LHCP)
Antenna Cable	Single 50 ohm Coax Cable

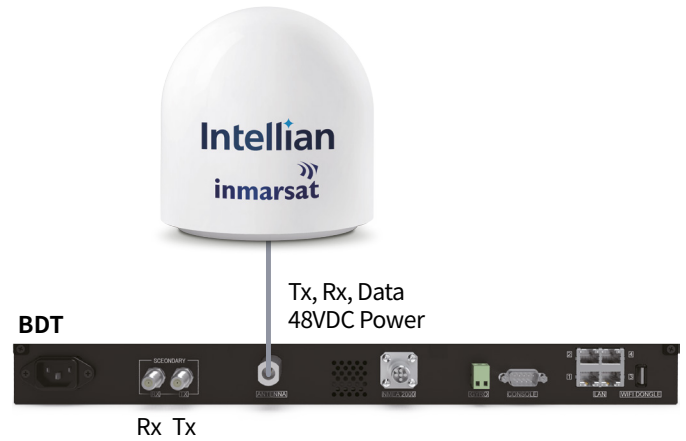
ANTENNA CONTROL UNIT

Dimensions (WxDxH)	43.1 cm x 41.1 cm x 4.4 cm / 17" x 16.1" x 1.7"
Weight	5.7 kg / 12.5 lbs
Display	OLED Display
Gyrocompass Interface	NMEA 2000, NMEA 0183
Mediator Interface	GX Mediator Integrated
Modem	GX Modem Integrated
Remote Management	Yes
Management Port	Yes
Intellian LAN Port	Yes
Power Requirement	100 ~240 VAC, 50~60Hz, 3A

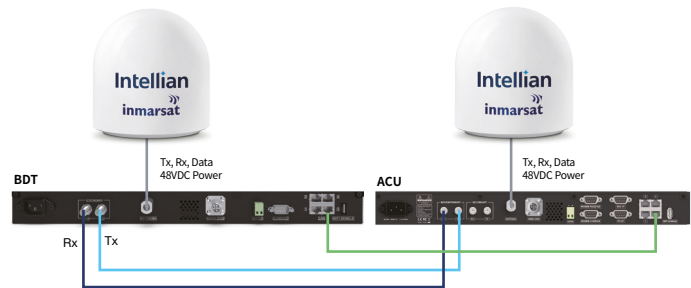
SYSTEM DIMENSION



SYSTEM DIAGRAM



SYSTEM DIAGRAM (DUAL ANTENNA)



Esatcom Inc.
www.esatcom.com

Tel:
718.276.0800

Email:
sales@esatcom.com