

v240M2

2.4M MULTI-ORBIT DUAL-BAND Antenna System



FEATURES

AUTOMATIC FREQUENCY BAND SWITCHING

The Intellian v240M2 has the capability of switching between two satellite frequency bands. It allows automatic switching between C- and Ku-band without user intervention. This enables the operator to select the optimum solution for the geographic location.

FUTURE PROOF DESIGN

The v240M2 isn't just designed for the present, but is fully prepared for the future networks as they come online. To provide greater flexibility of space segment selection, the Ka-band upgrade kit allows the addition of Ka-band communication. The Intelligent Mediator enables MEO operation on the v240M2 combined with the Ka-band upgrade. The v240M2 is prepared to operate using Future Satellite Networks.

BEST IN-CLASS RF PERFORMANCE

The upgraded design assures consistent RF performance on C and Ku-bands to enable high-speed, high-quality connectivity for high-bandwidth demanding users. The v240M2 features high-power BUC options up to 400W in both C- and Ku-bands. It's ready for the highest throughput.

FIBER OPTIC SOLUTION

Fiber optic solution is based on our extensive fiber optic experience, resulting in minimal signal loss regardless of cable length. It enables greater bandwidth capability compared to a coaxial cable connection between ADU and BDU. The Fiber optic solution is ideal for high throughput installations and allows for quicker and easier installations.

INTELLIGENT MEDIATOR

This sophisticated system enables automatic switching between networks, satellites, orbits and, provides support for Dual Centers. All of this happens automatically, without any user intervention, this ensures no loss of data and no dropped calls.

v240M 2

TECHNICAL SPECIFICATIONS

PHYSICAL

Radome Height	431 cm / 169.5"
Radome Diameter	391 cm / 154"
Reflector Diameter	240 cm / 94.5"
Antenna Weight	1,133 kg / 2,498 lbs

STABILIZED PEDESTAL ASSEMBLY

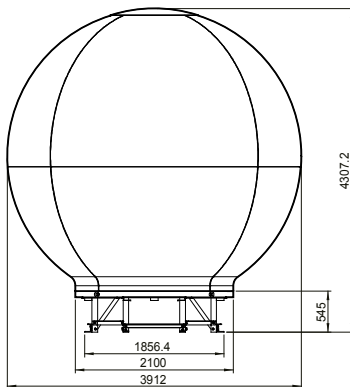
Platform	3-axis : Azimuth, Elevation, Cross-level
Azimuth Range	Unlimited
Elevation Range	-15° to +120°
Cross-level Range	up to 30°
Stabilized Accuracy	0.2° peak mispointing @ max ship motion
Motor Brake System	Elevation, Cross level

REFLECTOR & FEED ASSEMBLY

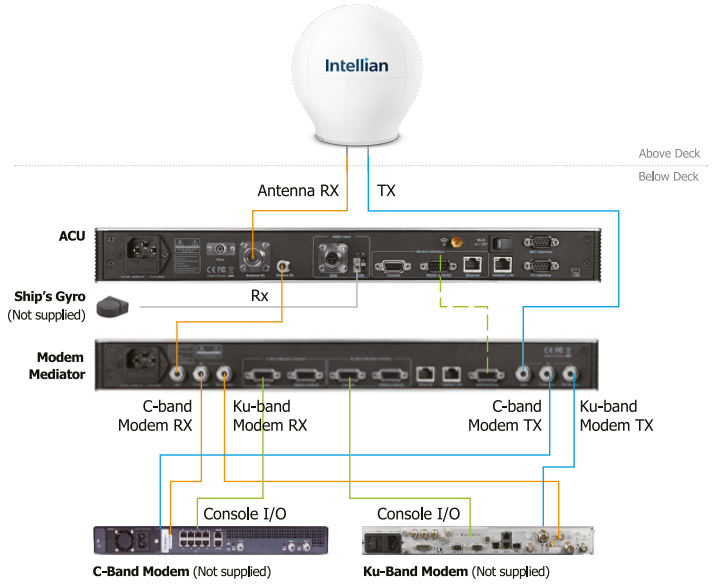
Tx Frequency	C-band : 5.85 GHz ~ 6.425 GHz Ku-band : 13.75 GHz ~ 14.5 GHz
Tx Gain	C-band : 42.0 dBi @ 6.14 GHz Ku-band : 48.6 dBi @ 14.25 GHz
Rx Frequency	C-band : 3.625 GHz ~ 4.2 GHz Ku-band : 10.7 GHz ~ 12.75 GHz
Rx Gain	C-band : 38.4 dBi @ 3.91 GHz Ku-band : 47.7 dBi @ 11.85 GHz
G/T (Incl. Radome)	C-band : 19.0 dB/K @ 3.91 GHz Ku-band : 28.0 dB/K @ 12.75 GHz
BUC Power	C-band up to 400 W Ku-band up to 400 W
Polarization	C-band : Circular & Linear Ku-band : Linear (Cross Pol & Co Pol)

* 168" sized Radome available as an option.

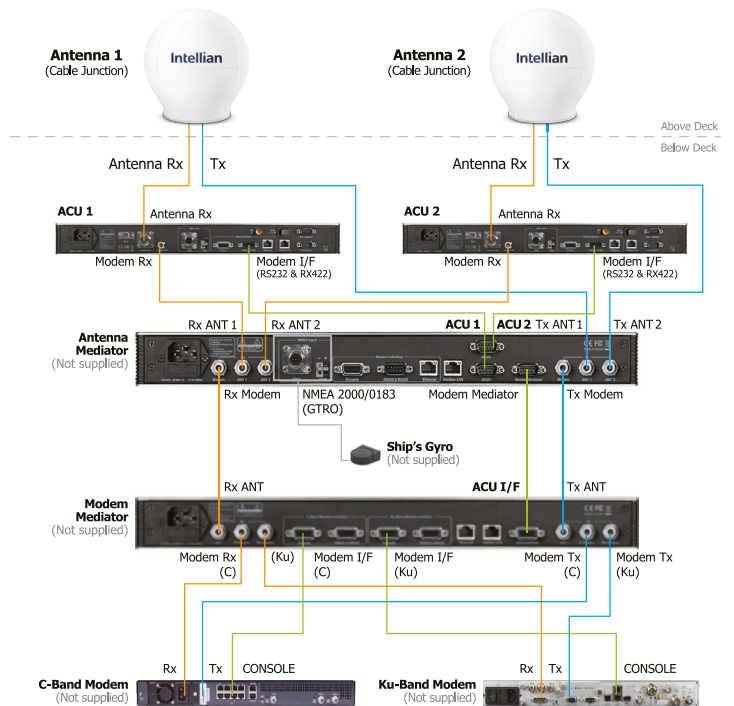
SYSTEM DIMENSION



SINGLE ANTENNA SYSTEM



DUAL ANTENNA SYSTEM



Esatcom Inc.
www.esatcom.com

Tel:
718.276.0800

Email:
sales@esatcom.com