



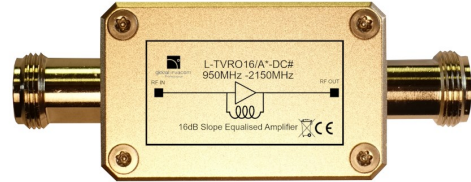
16dB Slope Equalised Line Amplifier

P/N L-TVRO16/A*-DC#

Description

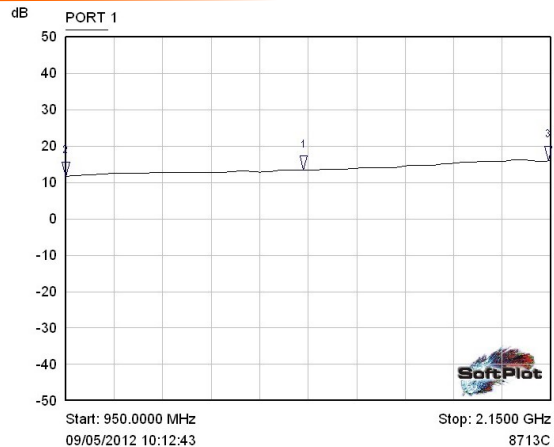
The Global Professional +16dB slope equalised Line Amplifiers are high quality amplifiers (with DC Pass) for the professional user. The product is housed in our standard EMI enclosure and is CE approved.

Unit is line powered however a DC injected version is available upon request. Additionally if required the unit can be offered with DC blocking.



Specifications

Input Frequency	950-2150MHz
Gain @ 950MHz	+11dB
Gain @ 2150MHz	+16dB
Variation	± 1dB
Max. Distortion Free Output (-35dB C/I 2 Tone)	93dBµV
Current Passing	500mA
Current Consumed	< 50mA
I/P Voltage	12V -24V
Connector type	See Table Below
Dimensions	56mm x 35mm x 25mm
Weight	250 grams
RoSH/WEEE Compliant	YES



Mkr	Trace	X-Axis	Value	Notes
1	PORT 1	1.5380 GHz	13.41 dB	
2	PORT 1	950.0000 MHz	11.72 dB	
3	PORT 1	2.1440 GHz	15.95 dB	

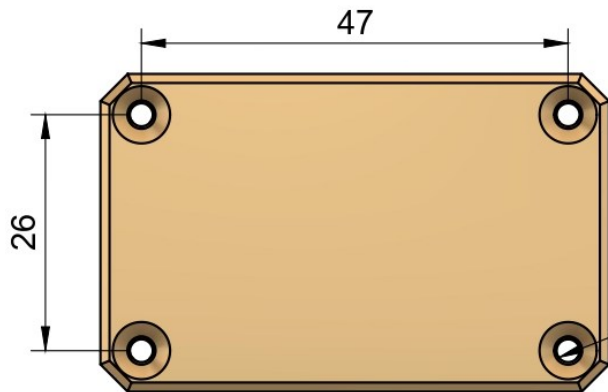
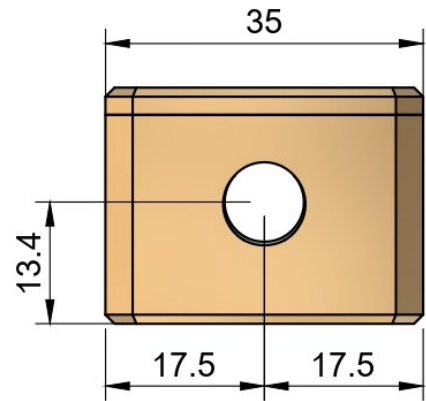
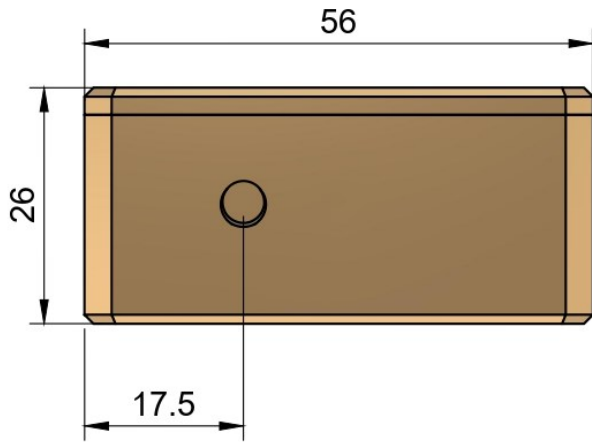
*** Denotes Connector Type Available**

'N'	'N'	50 Ω	Female
'S'	'SMA'	50 Ω	Female
'F'	'F'	75 Ω	Female
'B'	'BNC'	50 Ω	Female
'Z'	'BNC'	75 Ω	Female
'T'	'TNC'	50 Ω	Female

Denotes DC Voltage Passing Options

DCP	DC Passing
DCB	DC blocked
DCI	DC Injection

LINE AMPLIFIER UNIT HOUSING DIMENSIONS



4x LID SCREW HOLES
DRILLED THOROUGH
& TAPPED M3x0.5mm
TO 10mm DEPTH FOR
MOUNTING UNIT

