



L Band Attenuators

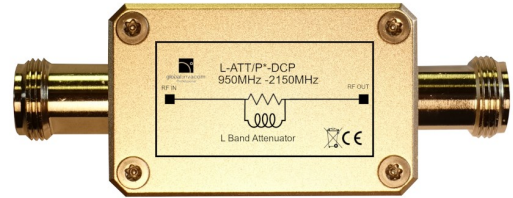
L-ATT/PN-DCP

Description

The Global Professional L band attenuator has been designed to attenuate the L band input by a specific value whilst still allowing DC to pass through.

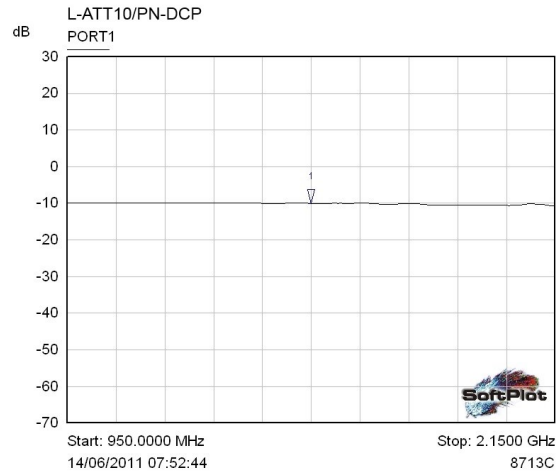
The attenuation value is pre-set at manufacture and can be specified by the customer prior to order placement.

Attenuation values available are given in the specification table below.



Specifications

Frequency Pass	950 - 2150MHz
Through Loss 10MHz	>1dB
L Band Through Loss 950 –2150MHz	Options available:- 3dB 6dB 10dB 15dB 20dB 25dB 30dB
DC Passing	48V Max
DC Current	5A Max
Connectors	See Table Below
Dimensions	56mm x 35mm x 25mm
Mounting Dimensions	47mm x 57mm (M3)
Weight	100 grams
RoSH/WEEE Compliant	YES

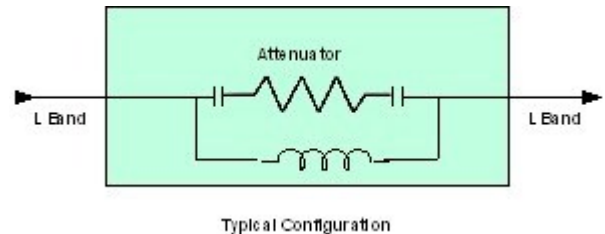


Mkr	Trace	X-Axis	Value	Notes
1	PORT1	1.5500 GHz	-10.12 dB	

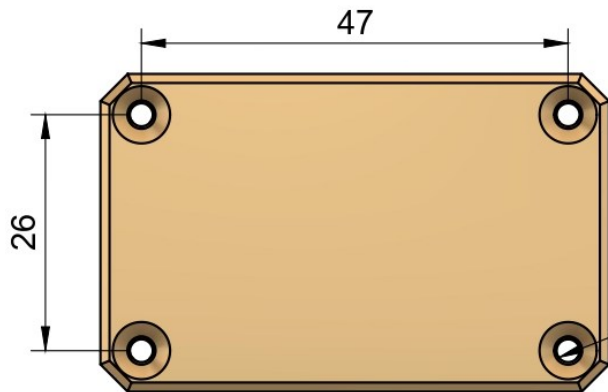
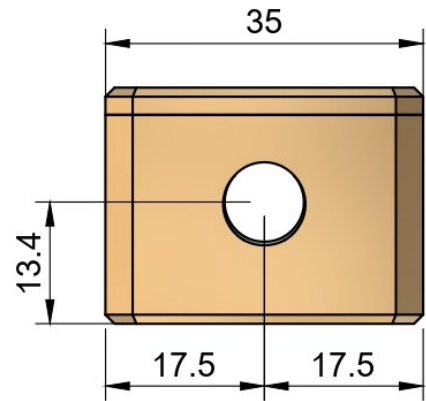
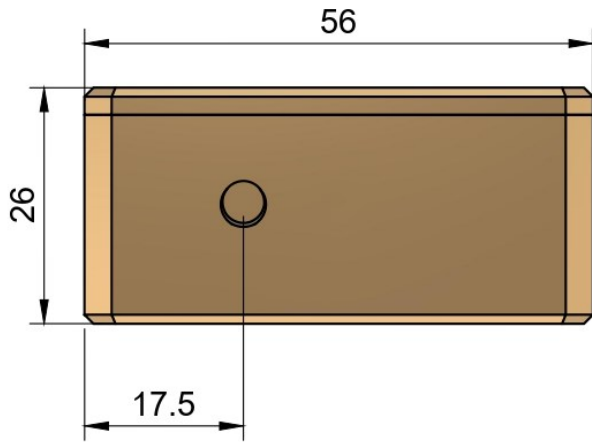
L Band

*** Denotes Connector Type Available**

'N'	'N'	50 Ω	Female
'S'	'SMA'	50 Ω	Female
'F'	'F'	75 Ω	Female
'B'	'BNC'	50 Ω	Female
'Z'	'BNC'	75 Ω	Female
'T'	'TNC'	50 Ω	Female



LINE AMPLIFIER UNIT HOUSING DIMENSIONS



4x LID SCREW HOLES
DRILLED THOROUGH
& TAPPED M3x0.5mm
TO 10mm DEPTH FOR
MOUNTING UNIT

