



L Band 2 WAY Active COMBINER

L- CO2/A*- DC#

Description

The Global Professional L BAND ACTIVE 2 way Combiner has been designed to combine the L band from a typical satellite system with negligible insertion loss.

The unit can be supplied with various dc passing configurations and different connector types. Options available are listed below.

Dependant on configuration the unit may be powered either from port One or alternatively via a PSU available separately.



Specifications

Frequency Pass	950MHz– 2150MHz
Through Loss	0dB ±0.5dB
Port to Port Isolation	+20dB
Return Loss	+15dB
DC Passing Options	See table below
Supply Voltage	12-48 V dc
MAX DC Current	1 AMP
Current Consumption	60mA
Connectors	See Below
Dimensions	116mm x 66mm x 26mm
Mounting Dimensions	105mm x 57mm
Weight	400 grams
RoSH/WEEE Compliant	YES

LBand

*** Denotes Connector Type Available**

'N'	'N'	50 Ω Female
'S'	'SMA'	50 Ω Female
'F'	'F'	75 Ω Female
'B'	'BNC'	50 Ω Female
'Z'	'BNC'	75 Ω Female
'T'	'TNC'	50 Ω Female

Denotes DC Voltage Passing Options

DC1	DC Passing port 1 Only
DCB	DC blocked All Ports
DCA	DC Passing All Ports

Example P/N Configuration

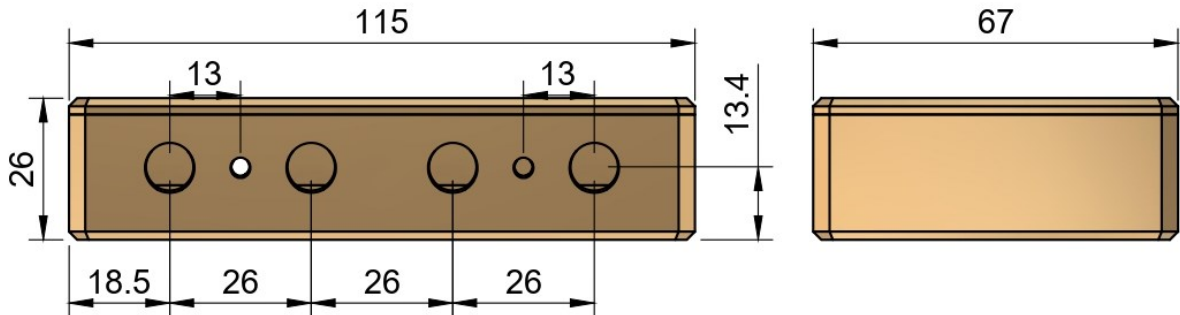
L-CO2/AN-DC1

N type combiner DC passing Port 1 Only

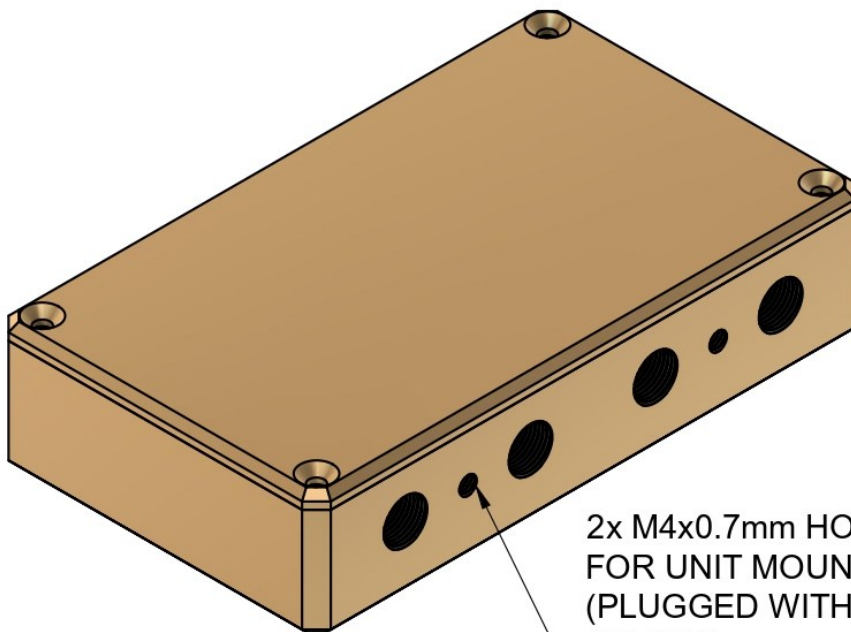
L-CO2/AZ-DCB

BNC 75 Ohm combiner DC blocked all ports

4 WAY UNIT HOUSING DIMENSIONS



4x LID SCREW HOLES
DRILLED THROUGH
& TAPPED M3x0.5mm
TO 10mm DEPTH FOR
MOUNTING UNIT



2x M4x0.7mm HOLES PROVIDED
FOR UNIT MOUNTING
(PLUGGED WITH GRUB SCREWS
AS STD)