



**L BAND 4 WAY ACTIVE Combiner**

**L-CO4/A\*-DC#**

**Description**

The Global Professional L BAND ACTIVE 4 way combiner has been designed to combine a L signal with low insertion loss.

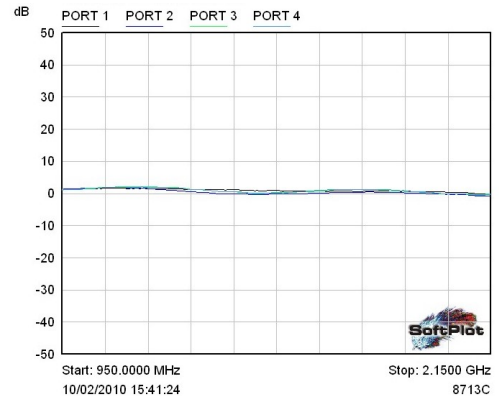
The unit can be supplied with various dc passing configurations and different connector types. Options available are listed below.

Dependant on configuration the unit may be powered either from port One or alternatively via a PSU available separately.



**Specifications**

Frequency Pass	950MHz - 2150MHz
L Band Through Loss 950 –2150MHz	0dB ± 0.5dB
Port to Port Isolation	+20dB
Return Loss	+15dB
DC Passing	See table below
MAX DC Current (Passing)	1 AMP
Max DC Supply Voltage	48 Volts
Current Consumption	60mA
Connectors	See table below
Dimensions	116mm x 66mm x 26mm
Mounting Dimensions	105mm x 57mm
Weight	400 grams
RoSH/WEEE Compliant	YES



PORT 1 BN16579 F800015-PRO COMB4AN-PRO L BAND SET TO 0  
 PORT 2 BN16579 F800015-PRO COMB4AN-PRO L BAND SET TO 0  
 PORT 3 BN16579 F800015-PRO COMB4AN-PRO L BAND SET TO 0  
 PORT 4 BN16579 F800015-PRO COMB4AN-PRO L BAND SET TO 0

L Band

**\* Denotes Connector Type Available**

'N'	'N' Type 50 Ohm Fe-
'S'	'SMA' 50 Ohm Female
'F'	'F' 75 Ohm Female
'B'	'BNC' 50 Ohm Female
'Z'	'BNC' 75 Ohm Female
'T'	'TNC' 50 Ohm Female

**# Denotes DC Voltage Passing Options**

<b>DC1</b>	DC Passing port 1 Only
<b>DCB</b>	DC blocked All Ports
<b>DCA</b>	DC Passing All Ports

Example P/N Configuration

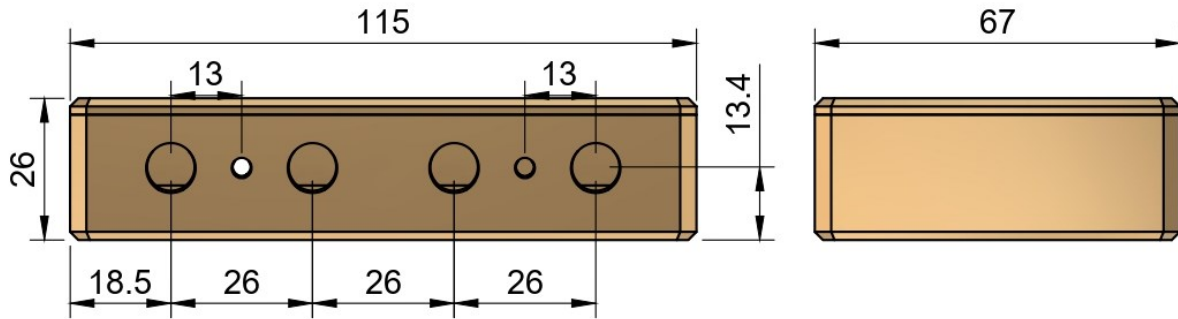
L-CO4AN-DC1

N type combiner DC passing Port 1 Only

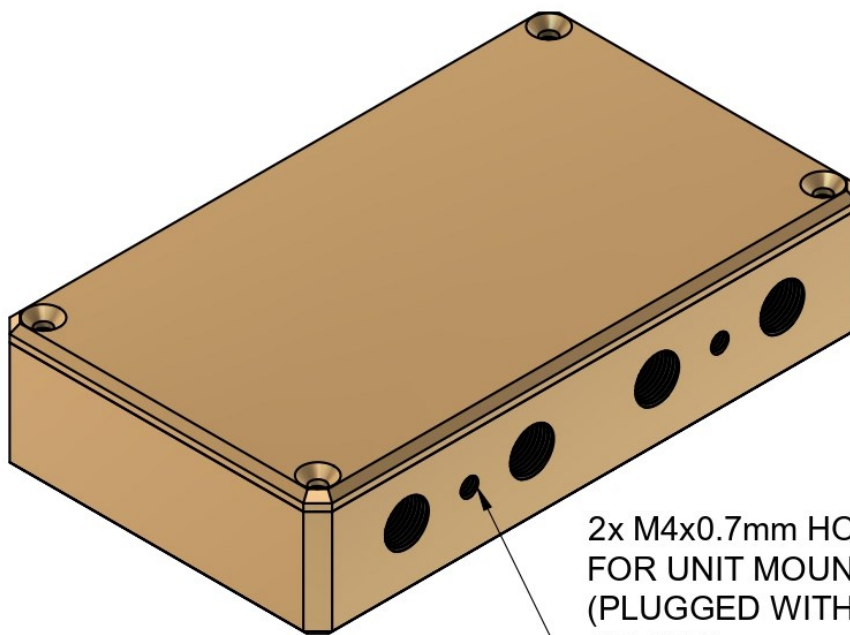
L-CO4/AZ-DCB

BNC 75 Ohm combiner DC blocked all ports

## 4 WAY UNIT HOUSING DIMENSIONS



4x LID SCREW HOLES  
DRILLED THROUGH  
& TAPPED M3x0.5mm  
TO 10mm DEPTH FOR  
MOUNTING UNIT



2x M4x0.7mm HOLES PROVIDED  
FOR UNIT MOUNTING  
(PLUGGED WITH GRUB SCREWS  
AS STD)