



L BAND 8 WAY ACTIVE COMBINER

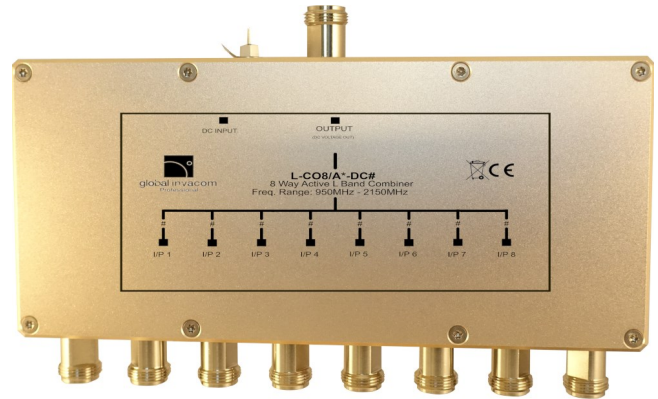
L-CO8/AN-DC1

Description

The Global Professional L BAND ACTIVE 8 way Combiner has been designed to combine L band from a typical satellite system with negligible insertion loss.

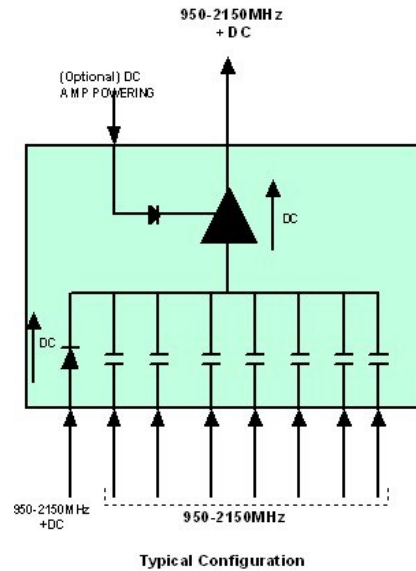
Port one will allow DC to pass through from receiver through to the combined output port. All other ports are DC blocked.

The unit can be powered via port one or alternatively external powering is available. PSU's are available if required.



Specifications

Frequency Pass	950MHz - 2150MHz
L Band Through Loss 950 –2150MHz	0dB ± 3dB
Port to Port Isolation	+20dB
Return Loss	+15dB
DC Passing	See options below
MAX DC Current (Passing)	1 AMP
Max DC Supply Voltage	48 Volts
Current Consumption	60mA
Connectors	'See table below
Dimensions	223mm x 98.5mm x 26mm
Mounting Dimensions	212.5mm x 88.5mm
Weight	1200 grams
RoSH/WEEE Compliant	YES



L Band

*** Denotes Connector Type Available**

'N'	'N'	50 Ω Female
'S'	'SMA'	50 Ω Female
'F'	'F'	75 Ω Female
'B'	'BNC'	50 Ω Female
'Z'	'BNC'	75 Ω Female
'T'	'TNC'	50 Ω Female

Denotes DC Voltage Passing Options

DC1	DC Passing port 1 Only
DCB	DC blocked All Ports
DCA	DC Passing All Ports

Example P/N Configuration

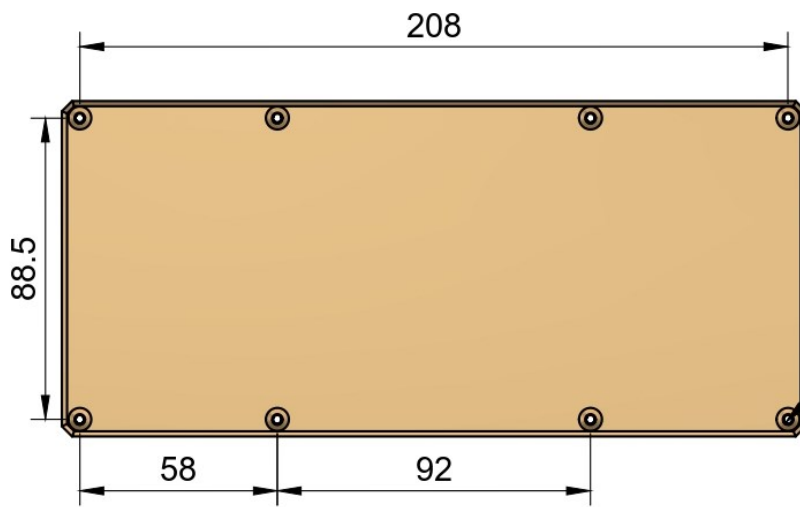
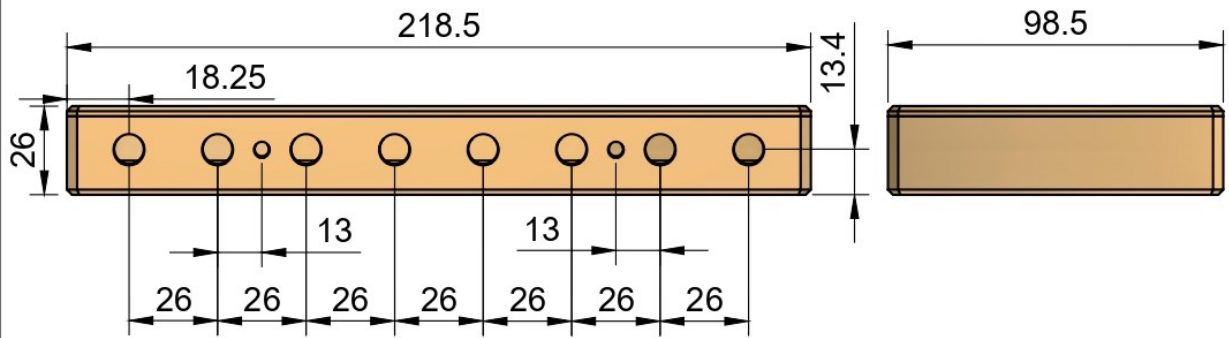
L-CO8/AN-DC1

N type combiner DC passing Port 1 Only

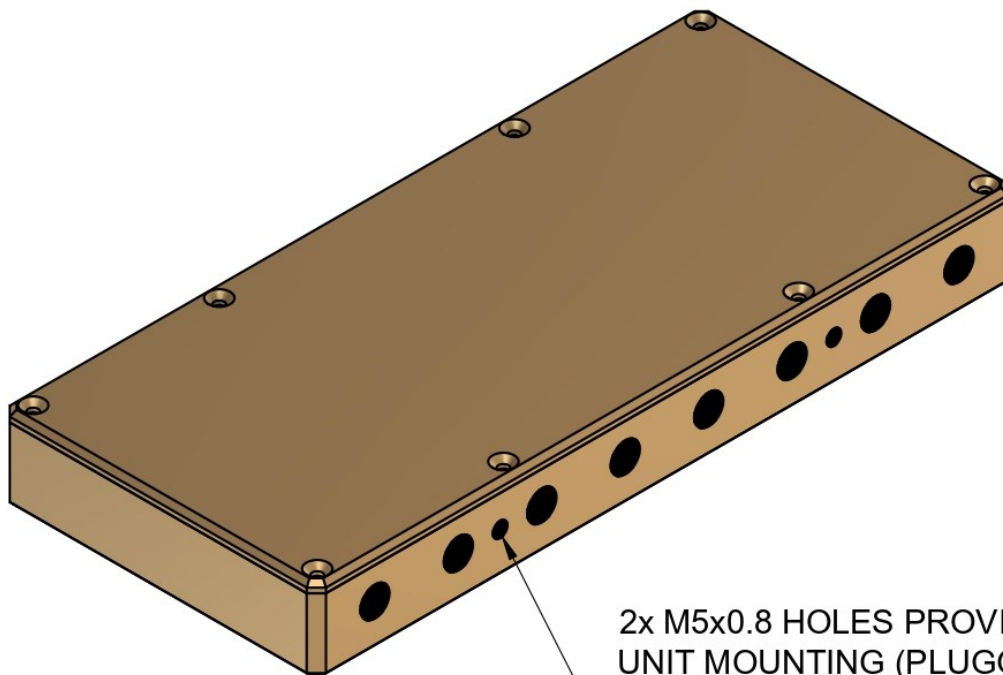
L-CO8/AZ-DCB

BNC 75 Ohm combiner DC blocked all ports

8 WAY UNIT HOUSING DIMENSIONS



8x LID SCREW HOLES
DRILLED THROUGH
& TAPPED M3x0.5mm
TO 10MM DEPTH FOR
MOUNTING UNIT



2x M5x0.8 HOLES PROVIDED FOR
UNIT MOUNTING (PLUGGED WITH
GRUB SCREWS AS STD)