



**L BAND 4 WAY ACTIVE SPLITTER**

**L-SP4/A\*-DC#**

**Description**

The Global Professional L BAND ACTIVE 4 way Splitter has been designed to split the L band from a typical satellite system with negligible insertion loss.

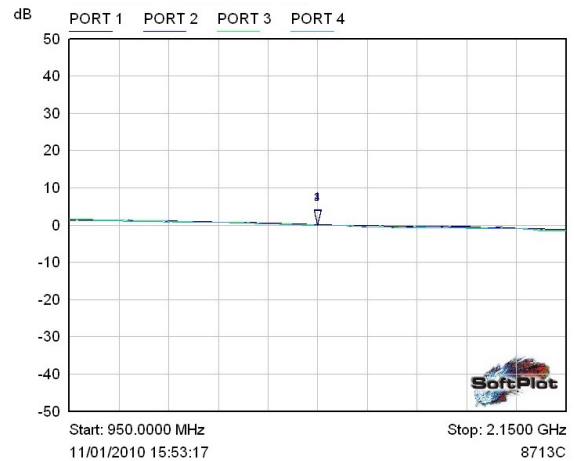
The unit can be supplied with various dc passing configurations and different connector configurations. Options available are listed below

Dependant on configuration the unit can be powered via port one or alternatively via a power supply supplied separately.



**Specifications**

Frequency Pass	950MHz - 2150MHz
L Band Through Loss 950 –2150MHz	+1dB ± 0.5dB
Port to Port Isolation	+20dB
Return Loss	+15dB
DC Passing	See table below
MAX DC Current (Passing)	1 AMP
Max DC Supply Voltage	48 Volts
Current Consumption	60mA
Connectors	'See table below
Dimensions	116mm x 66mm x 26mm
Mounting Dimensions	105mm x 57mm
Weight	400grams
RoSH/WEEE Compliant	YES



Mkr	Trace	X-Axis	Value	Notes
1	PORT 1	1.5500 GHz	0.16 dB	
2	PORT 2	1.5500 GHz	0.05 dB	
3	PORT 3	1.5500 GHz	0.06 dB	
4	PORT 4	1.5500 GHz	-0.03 dB	

LBand

**\* Denotes Connector Type Available**

'N'	'N'	50 Ω Female
'S'	'SMA'	50 Ω Female
'F'	'F'	75 Ω Female
'B'	'BNC'	50 Ω Female
'Z'	'BNC'	75 Ω Female
'T'	'TNC'	50 Ω Female

**# Denotes DC Voltage Passing Options**

<b>DC1</b>	DC Passing port 1 Only
<b>DCB</b>	DC blocked All Ports
<b>DCA</b>	DC Passing All Ports

**Example P/N Configuration**

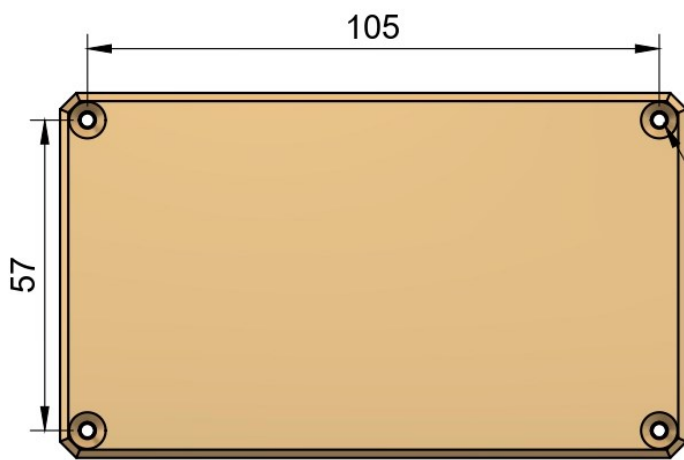
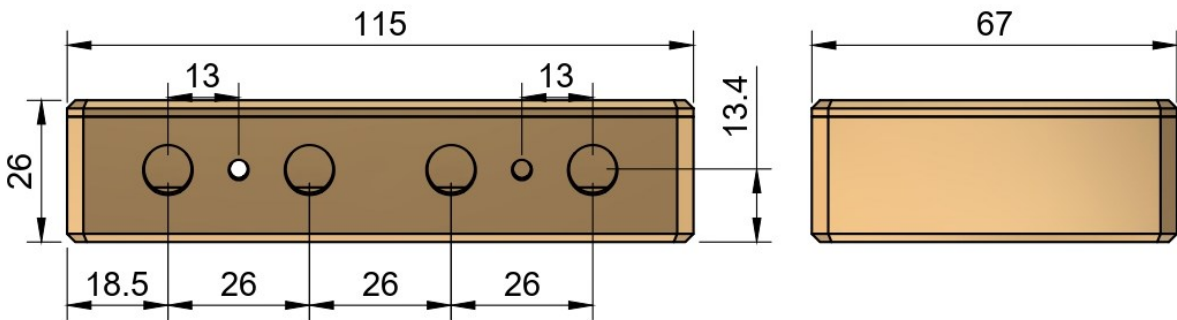
L-SP4/AN-DC1

N type splitter DC passing Port 1 Only

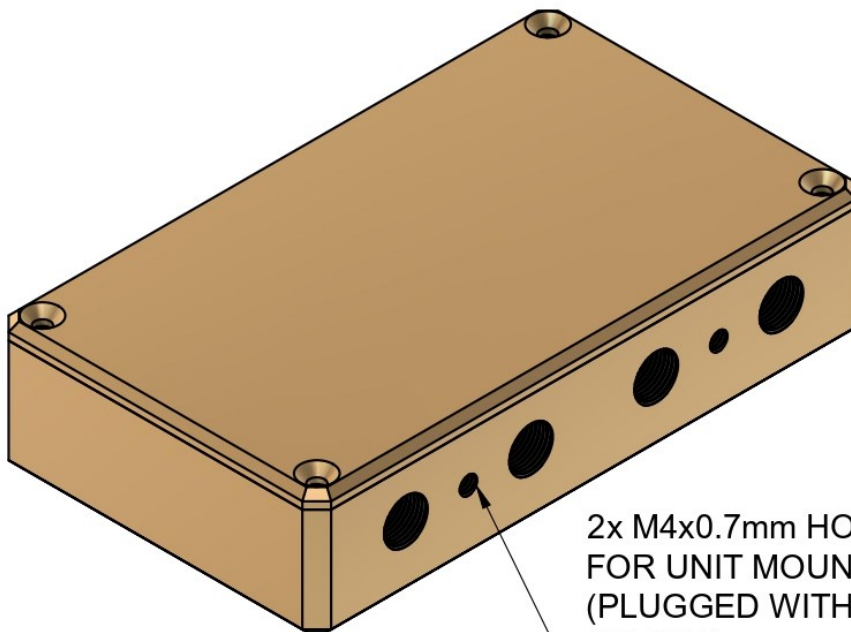
L-SP4/AZ-DCB

BNC 75 Ohm splitter combiner DC blocked all ports

# 4 WAY UNIT HOUSING DIMENSIONS



4x LID SCREW HOLES  
DRILLED THROUGH  
& TAPPED M3x0.5mm  
TO 10mm DEPTH FOR  
MOUNTING UNIT



2x M4x0.7mm HOLES PROVIDED  
FOR UNIT MOUNTING  
(PLUGGED WITH GRUB SCREWS  
AS STD)