



L BAND 8 WAY ACTIVE SPLITTER

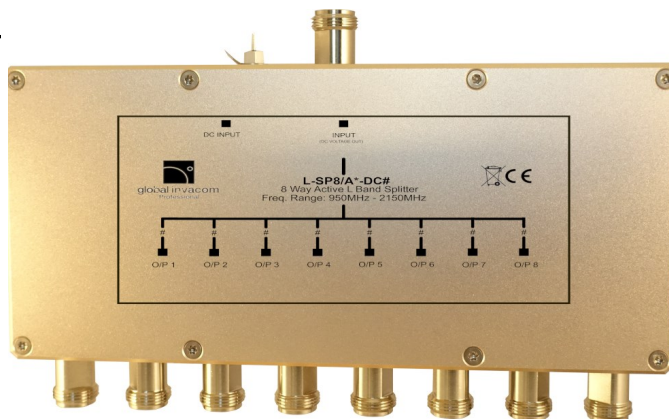
L-SP8/A* - DC#

Description

The Global Professional L BAND ACTIVE 8 way Splitter has been designed to split the L band from a typical satellite system with negligible insertion loss.

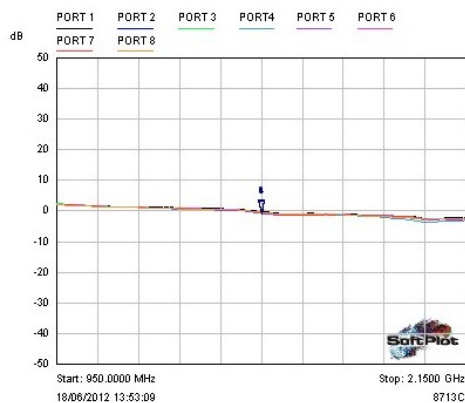
The unit can be supplied with various dc passing configurations and different connector types. Options available are listed below.

Dependant on configuration the unit may be powered either from port One or alternatively via a PSU available separate-



Specifications

Frequency Pass	950MHz - 2150MHz
L Band Through Loss 950 –2150MHz	0dB ± 3dB
Port to Port Isolation	+20dB
Return Loss	+15dB
DC Passing	See table below
MAX DC Current (Passing)	1 AMP
Max DC Supply Voltage	48 Volts
Current Consumption	60mA
Connectors	See table below
Dimensions	223mm x 98.5mm x 26mm
Mounting Dimensions	212.5mm x 88.5mm
Weight	1200 grams
RoSH/WEEE Compliant	YES



Mkr	Trace	X-Axis	Value	Notes
1	PORT 1	1.5500 GHz	-0.32 dB	
2	PORT 2	1.5500 GHz	-0.52 dB	
3	PORT 3	1.5500 GHz	-0.52 dB	
4	PORT 4	1.5500 GHz	-0.72 dB	
5	PORT 5	1.5500 GHz	-0.78 dB	
6	PORT 6	1.5500 GHz	-0.48 dB	
7	PORT 7	1.5500 GHz	-0.59 dB	
8	PORT 8	1.5500 GHz	-0.49 dB	

LBand

*** Denotes Connector Type Available**

'N'	'N'	50 Ω Female
'S'	'SMA'	50 Ω Female
'F'	'F'	75 Ω Female
'B'	'BNC'	50 Ω Female
'Z'	'BNC'	75 Ω Female
'T'	'TNC'	50 Ω Female

Denotes DC Voltage Passing Options

DC1	DC Passing port 1 Only
DCB	DC blocked All Ports
DCA	DC Passing All Ports

Example P/N Configuration

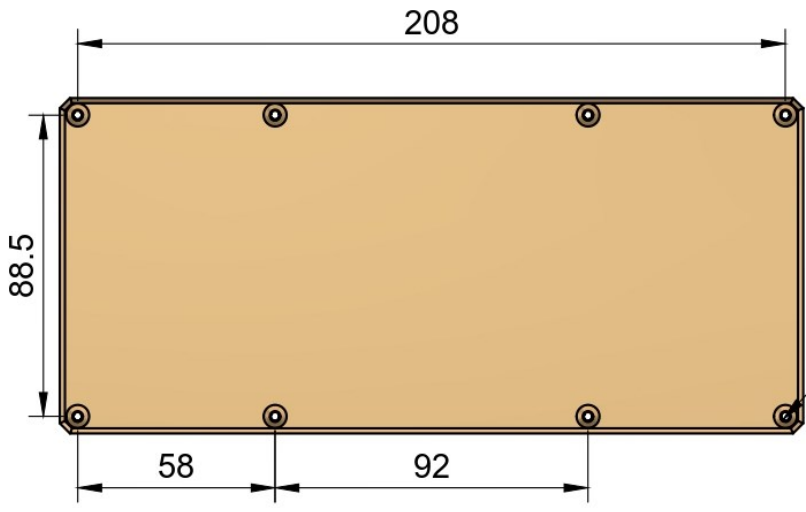
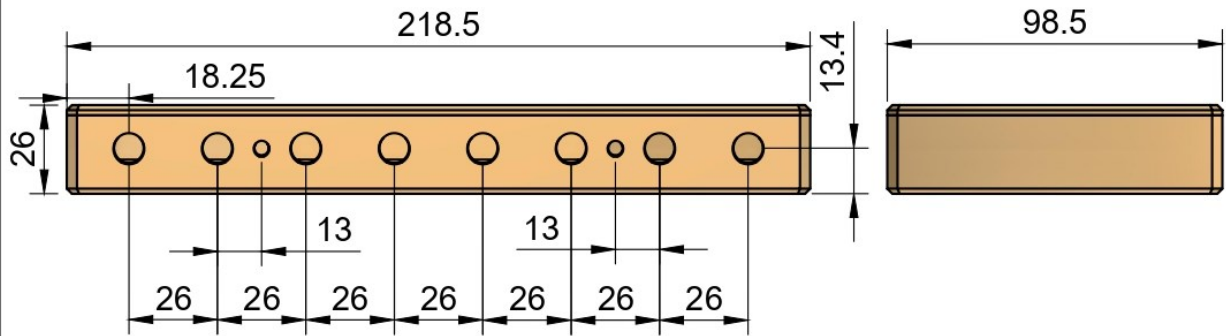
L-SP8/AN-DC1

N type 8 way splitter with DC passing Port 1 Only

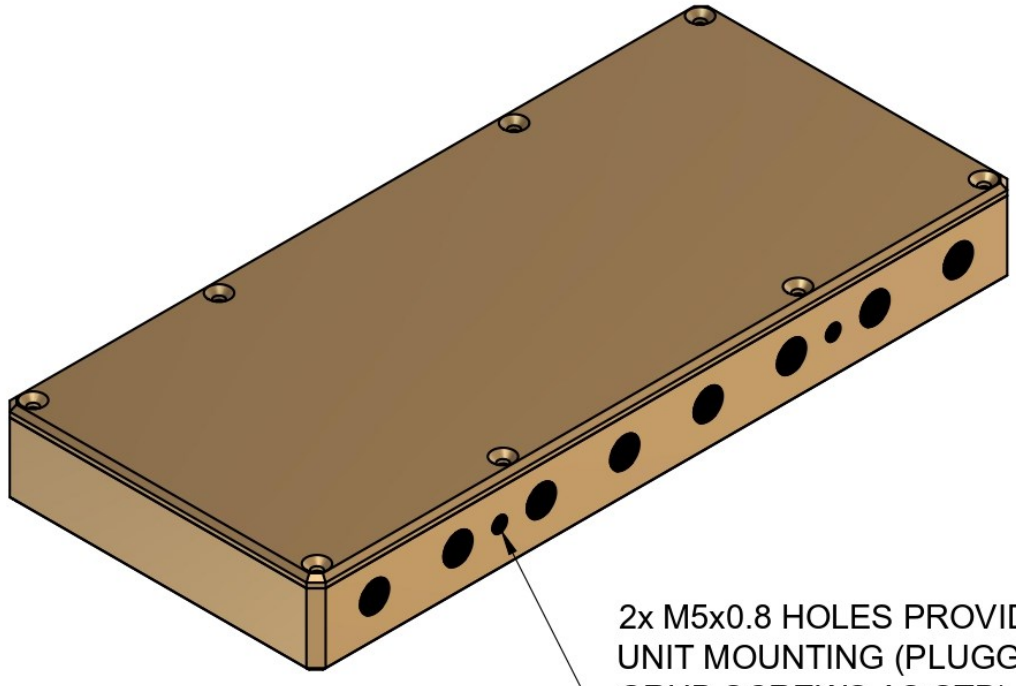
L-SP8/AZ-DCB

BNC 75 Ohm 8 Way Splitter with DC blocked all ports

8 WAY UNIT HOUSING DIMENSIONS



8x LID SCREW HOLES DRILLED THROUGH & TAPPED M3x0.5mm TO 10MM DEPTH FOR MOUNTING UNIT



2x M5x0.8 HOLES PROVIDED FOR UNIT MOUNTING (PLUGGED WITH GRUB SCREWS AS STD)