



L BAND 4 WAY PASSIVE COMBINER/SPLITTER

L-SPCO4/P*- DC#

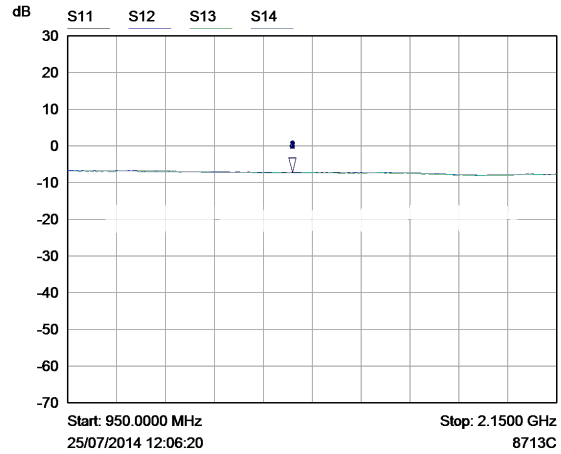
Description

The Global Professional L BAND PASSIVE 4 way Combiner/Splitter has been designed to combine or split the L band from a typical satellite system. The unit can be used in either configuration as splitter or combiner.



Specifications

Frequency Pass	950MHz - 2150MHz
L Band Through Loss	8dB ± 1dB
Port to Port Isolation	+20dB
Return Loss	+15dB
DC Passing	See Table
MAX DC Current	1 AMP
Connectors	See Table
Dimensions	116mm x 66mm x 26mm
Mounting Dimensions	105mm x 57mm
Weight	400 grams
RoSH/WEEE Compliant	YES



Mkr	Trace	X-Axis	Value	Notes
1	S11	1.5020 GHz	-7.23 dB	Port 1
2	S12	1.5020 GHz	-7.35 dB	Port 2
3	S13	1.5020 GHz	-7.40 dB	Port 3
4	S14	1.5020 GHz	-7.30 dB	Port 4

*** Denotes Connector Type Available**

'N'	'N' Type 50 Ohm Female
'S'	'SMA' 50 Ohm Female
'F'	'F' 75 Ohm Female
'B'	'BNC' 50 Ohm Female
'Z'	'BNC' 75 Ohm Female
'T'	'TNC' 50 Ohm Female

≠ Denotes DC Voltage Passing Options

DC1	DC Passing port 1 Only
DCB	DC blocked All Ports
DCA	DC Passing All Ports

Example P/N Configuration

L-SPCO4/PN-DC1

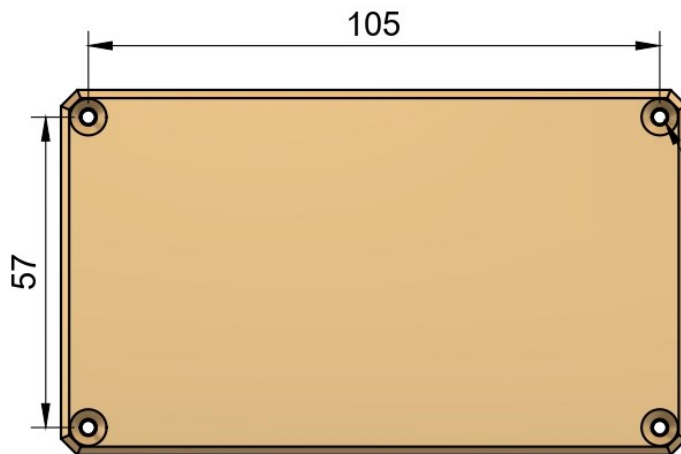
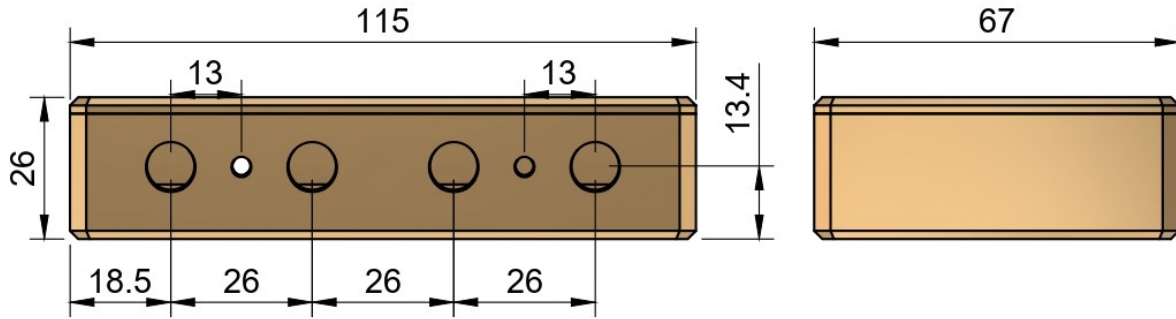
N type splitter /combiner DC passing Port 1 Only

L-SPCO4/PZ-DCB

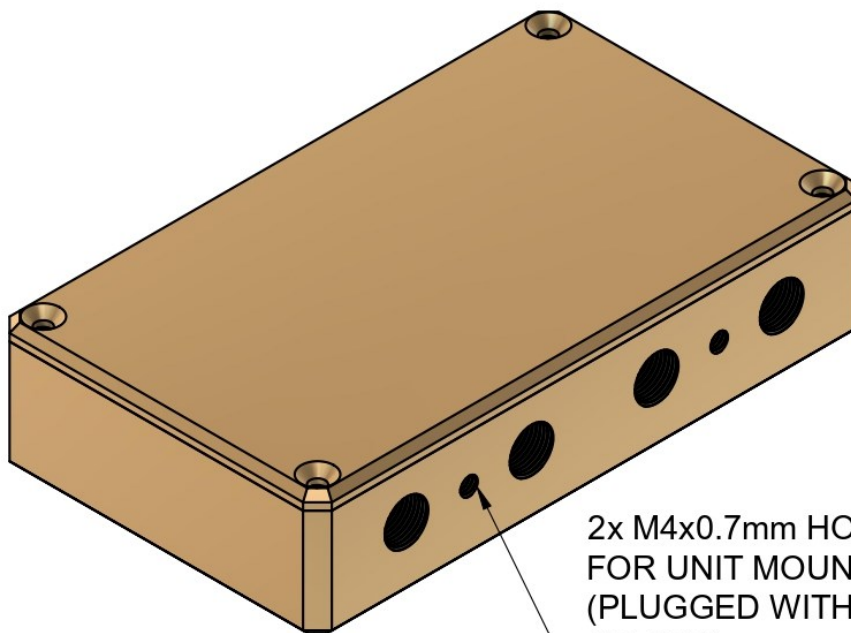
BNC 75 Ohm splitter combiner DC blocked all ports

LBand

4 WAY UNIT HOUSING DIMENSIONS



4x LID SCREW HOLES
DRILLED THROUGH
& TAPPED M3x0.5mm
TO 10mm DEPTH FOR
MOUNTING UNIT



2x M4x0.7mm HOLES PROVIDED
FOR UNIT MOUNTING
(PLUGGED WITH GRUB SCREWS
AS STD)