

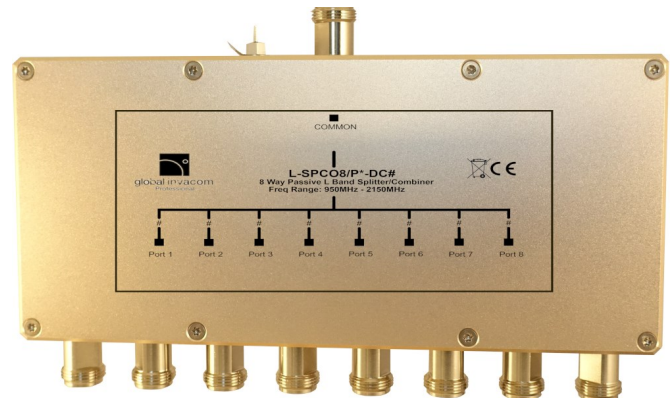


L BAND 8 WAY PASSIVE COMBINER/SPLITTER

L-SPC08/P*- DC#

Description

The Global Professional L BAND PASSIVE 8 way Combiner/Splitter has been designed to combine or split the L band from a typical satellite system. The unit can be used in either configuration as splitter or combiner.



Specifications

Frequency Pass	950MHz - 2150MHz
L Band Through Loss 950 -2150MHz	11dB ± 2dB
Port to Port Isolation	+20dB
Return Loss	+15dB
DC Passing	See table below
MAX DC Current	4 AMP
Connectors	See table below
Dimensions	218.5mm x 98.5mm x 26mm
Mounting Dimensions	208mm x 88mm
Weight	1200 grams
RoSH/WEEE Compliant	YES

*** Denotes Connector Type Available**

'N'	'N' Type 50 Ohm Female
'S'	'SMA' 50 Ohm Female
'F'	'F' 75 Ohm Female
'B'	'BNC' 50 Ohm Female
'Z'	'BNC' 75 Ohm Female
'T'	'TNC' 50 Ohm Female

Denotes DC Voltage Passing Options

DC1	DC Passing port 1 Only
DCB	DC blocked All Ports
DCA	DC Passing All Ports

Example P/N Configuration

L-SPC08/PN-DC1

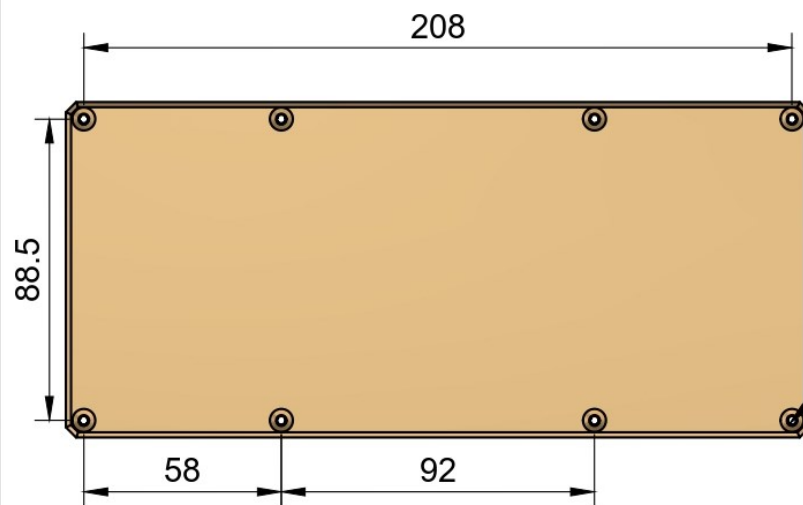
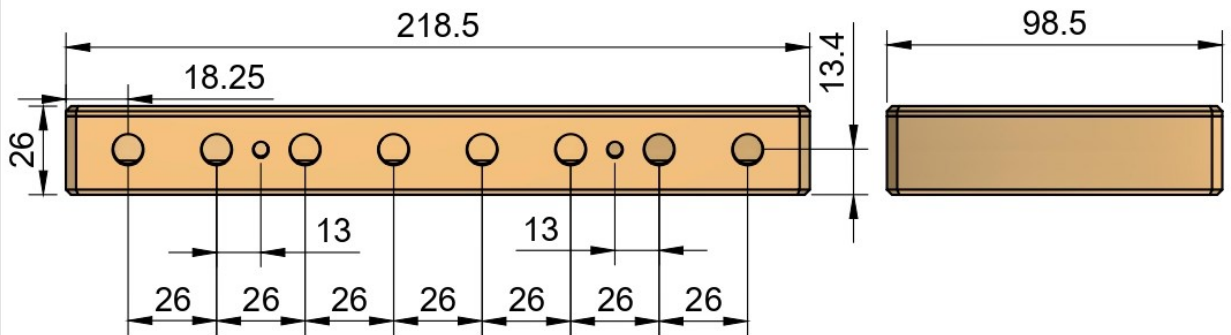
N type splitter/combiner DC passing Port 1 Only

L-SPC08/AZ-DCB

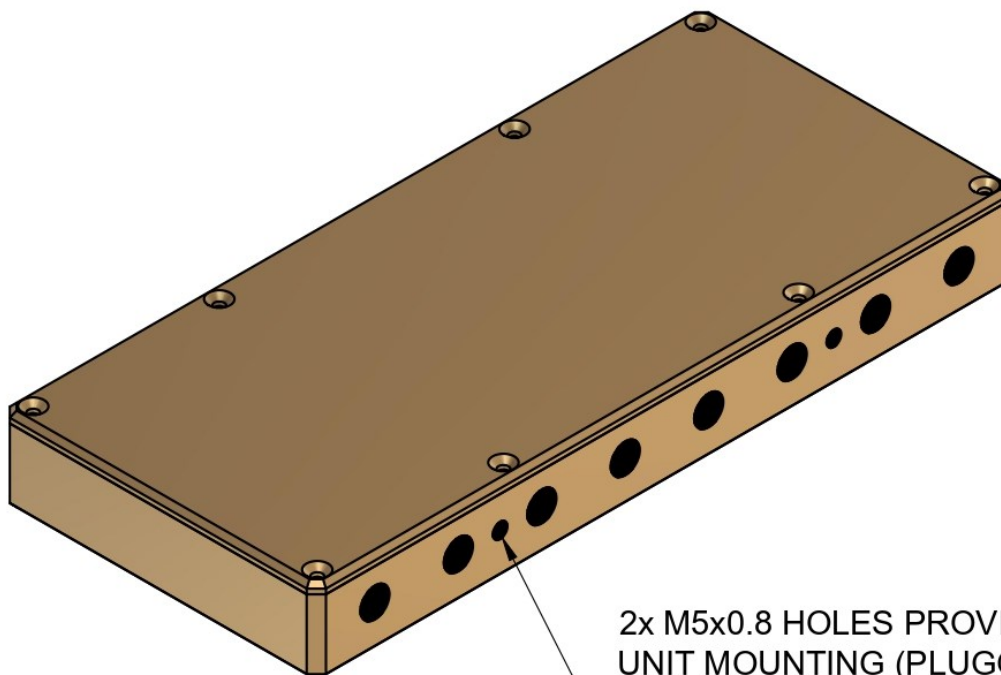
BNC 75 Ohm splitter/combiner DC blocked all ports

LBand

8 WAY UNIT HOUSING DIMENSIONS



8x LID SCREW HOLES
DRILLED THROUGH
& TAPPED M3x0.5mm
TO 10MM DEPTH FOR
MOUNTING UNIT



2x M5x0.8 HOLES PROVIDED FOR
UNIT MOUNTING (PLUGGED WITH
GRUB SCREWS AS STD)