

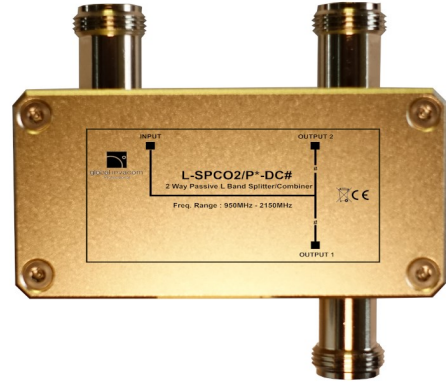


L BAND 2 WAY PASSIVE COMBINER/SPLITTER

L-SPCO2/P*-DC#

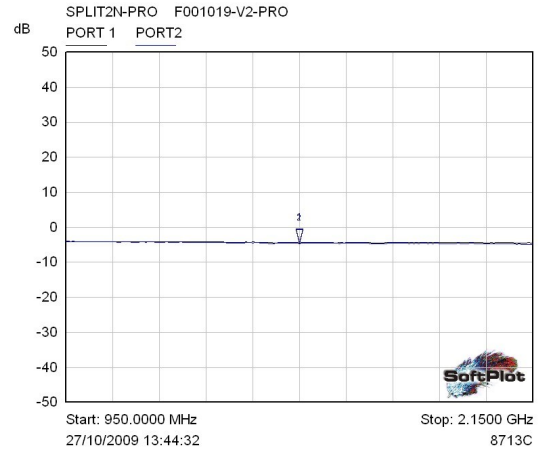
Description

The Global Professional L BAND PASSIVE 2 way Combiner/Splitter has been designed to combine or split the L band from a typical satellite system. The unit can be used in either configuration as splitter or combiner.



Specifications

Frequency Pass	950MHz—2150MHz
L Band Through Loss	4dB ±1dB
DC Passing	See Table Below
MAX DC Current	5 AMP
Connectors	See Table Below
Dimensions	88mm x 43mm x 26mm
Mounting Dimensions	78mm x 32.5mm
Weight	250 grams
RoSH/WEEE Compliant	YES



Mkr	Trace	X-Axis	Value	Notes
1	PORT 1	1.5500 GHz	-4.44 dB	
2	PORT2	1.5500 GHz	-4.59 dB	

*** Denotes Connector Type Available**

'N'	'N' Type 50 Ohm Female
'S'	'SMA' 50 Ohm Female
'F'	'F' 75 Ohm Female
'B'	'BNC' 50 Ohm Female
'Z'	'BNC' 75 Ohm Female
'T'	'TNC' 50 Ohm Female

Denotes DC Voltage Passing Options

DC1	DC Passing port 1 Only
DCB	DC blocked All Ports
DCA	DC Passing All Ports

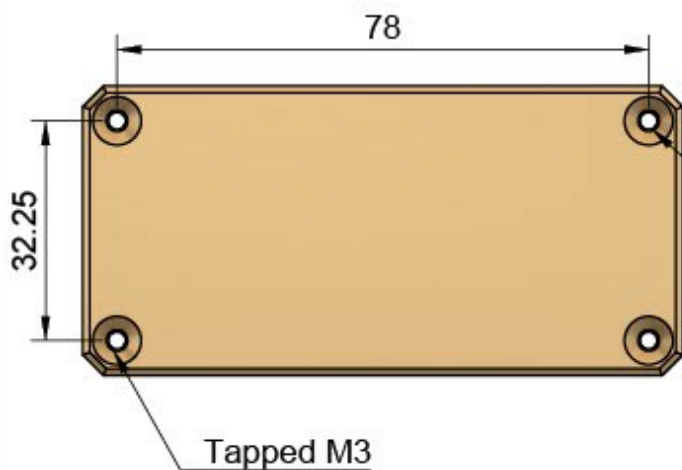
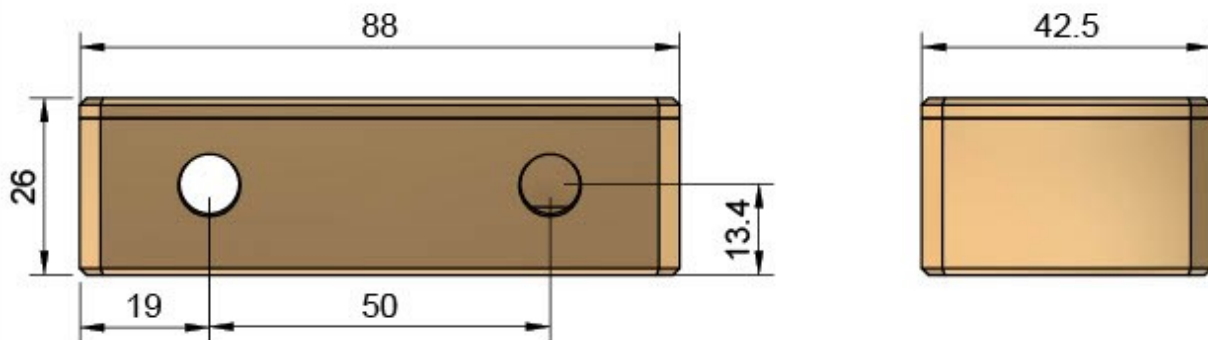
Example P/N Configuration

L-SPCO2/PN-DC1

N type splitter/combiner DC passing Port 1 Only

L-SPCO2/AZ-DCB

BNC 75 Ohm splitter/combiner DC blocked all ports



4x LID SCREW HOLES
DRILLED THROUGH
& TAPPED M3x0.5mm
TO 10mm DEPTH FOR
MOUNTING UNIT

