



UHF/IF 4 WAY ACTIVE SPLITTER

U-SP4/A*- DC#

Description

The Global Professional UHF / IF BAND ACTIVE 4 way Splitter has been designed to split a UHF or IF signal with low insertion loss.

The unit can be supplied with various dc passing configurations and different connector configurations. Options available are listed below

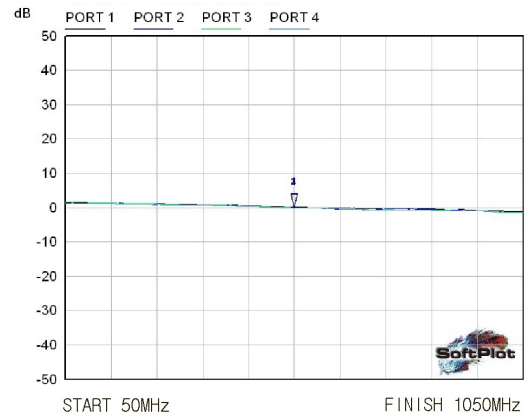
Dependant on configuration the unit can be powered via port one or alternatively via a power supply supplied separately.



UHF/IF Splitter

Specifications

Frequency Pass	50MHz - 950MHz
Through Loss	0dB ±1dB
Port to Port Isolation	+20dB
Return Loss	+15dB
DC Passing Options	See table below
Supply Voltage	12-48 V dc
MAX DC Current	1 AMP
Current Consumption	60mA
Connectors	See table Below
Dimensions	116mm x 66mm x 26mm
Mounting Dimensions	105mm x 57mm
Weight	400 grams
RoSH/WEEE Compliant	YES



Mkr	Trace	X-Axis	Value	Notes
1	PORT 1	550MHz	0.16 dB	
2	PORT 2	550MHz	0.05 dB	
3	PORT 3	550MHz	0.06 dB	
4	PORT 4	550MHz	-0.03 dB	

*** Denotes Connector Type Available**

'N'	'N' Type 50 Ohm Female
'S'	'SMA' 50 Ohm Female
'F'	'F' 75 Ohm Female
'B'	'BNC' 50 Ohm Female
'Z'	'BNC' 75 Ohm Female
'T'	'TNC' 50 Ohm Female

Denotes DC Voltage Passing Options

DC1	DC Passing port 1 Only
DCB	DC blocked All Ports
DCA	DC Passing All Ports

Example P/N Configuration

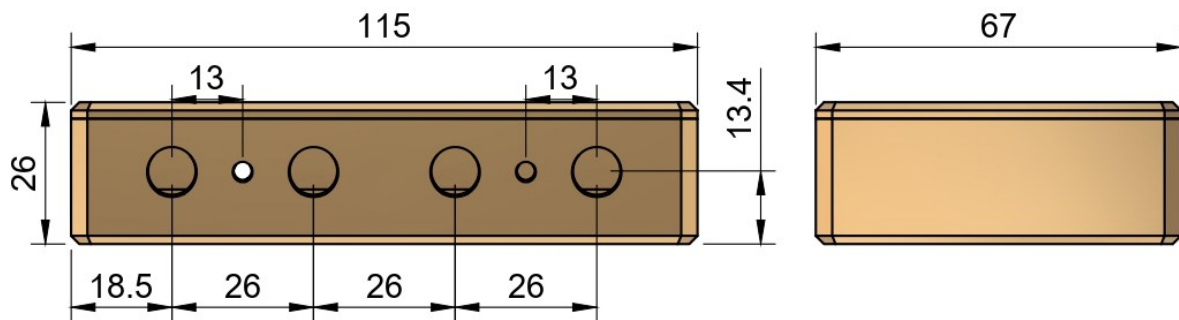
U-SP4/AN-DC1

N type splitter DC passing Port 1 Only

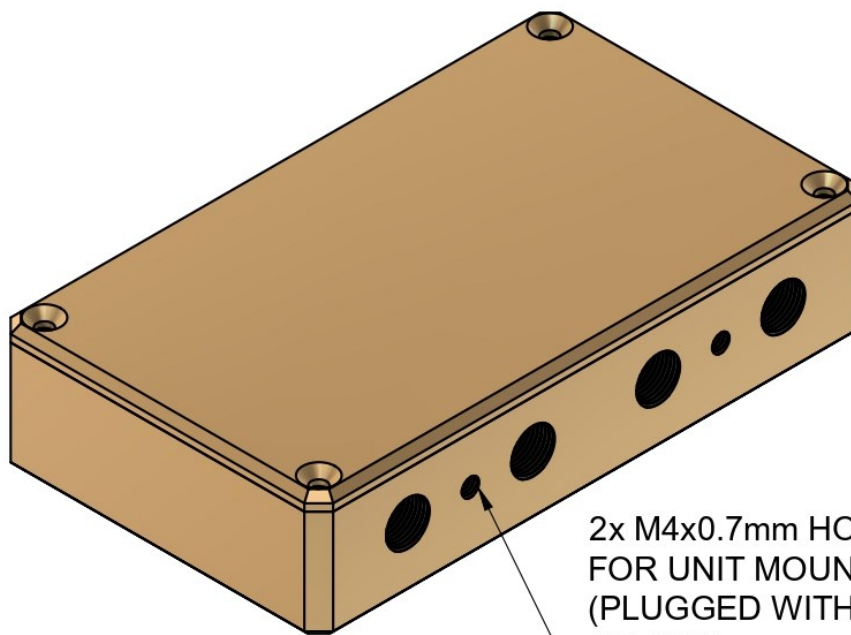
U-SP4/AZ-DCB

BNC 75 Ohm splitter DC blocked all ports

4 WAY UNIT HOUSING DIMENSIONS



4x LID SCREW HOLES
DRILLED THROUGH
& TAPPED M3x0.5mm
TO 10mm DEPTH FOR
MOUNTING UNIT



2x M4x0.7mm HOLES PROVIDED
FOR UNIT MOUNTING
(PLUGGED WITH GRUB SCREWS
AS STD)