



UHF/IF 8 WAY Active SPLITTER

U-SP8/A*- DC#

Description

The Global Professional UHF / IF BAND ACTIVE 8 way Splitter has been designed to split a UHF or IF signal with low insertion loss.

Dependant on configuration the unit can be powered either by Port 1 or external PSU available separately.

The picture illustrates a N type splitter with DC passing on port 1 and remaining 7 ports blocked however other configurations are available . Please see below.



UHF/IF Splitter

Specifications

Frequency Pass	50MHz - 950MHz
Through Loss	0dB ±3dB
Port to Port Isolation	+20dB
Return Loss	+15dB
DC Passing Options	See table
Supply Voltage	12-48 V dc
MAX DC Current	1 AMP
Current Consumption	60mA
Connectors	See Below
Dimensions	218.5mm x 98.5mm x 26mm
Mounting Dimensions	208mm x 88mm
Weight	1200 grams
RoSH/WEEE Compliant	YES

*** Denotes Connector Type Available**

'N'	'N' Type 50 Ohm Female
'S'	'SMA' 50 Ohm Female
'F'	'F' 75 Ohm Female
'B'	'BNC' 50 Ohm Female
'Z'	'BNC' 75 Ohm Female
'T'	'TNC' 50 Ohm Female

Denotes DC Voltage Passing Options

DC1	DC Passing port 1 Only
DCB	DC blocked All Ports
DCA	DC Passing All Ports

Example P/N Configuration

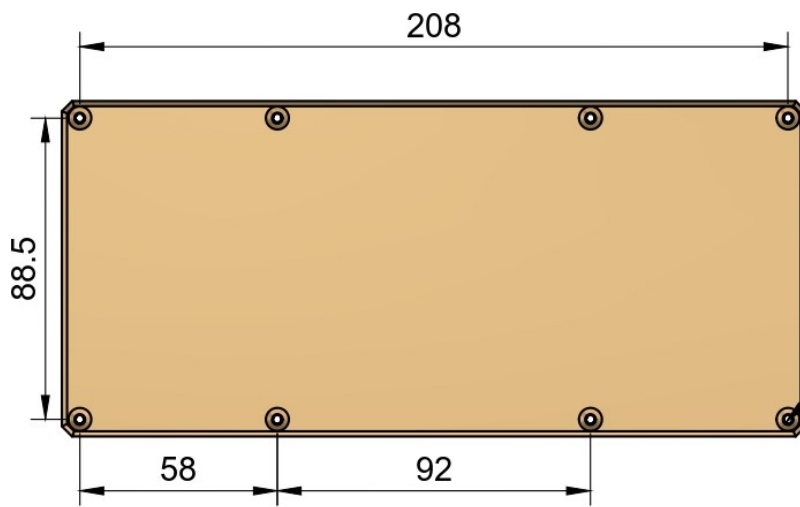
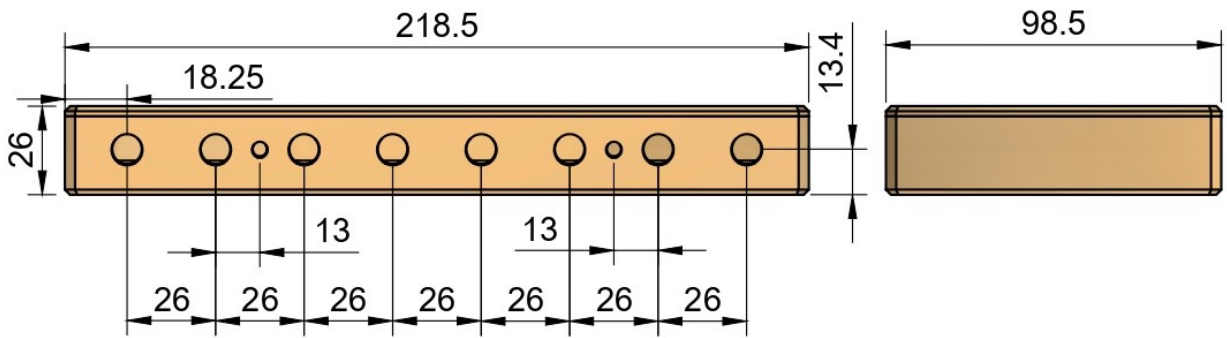
U-SP8/PN-DC1

N type splitter DC passing Port 1 Only

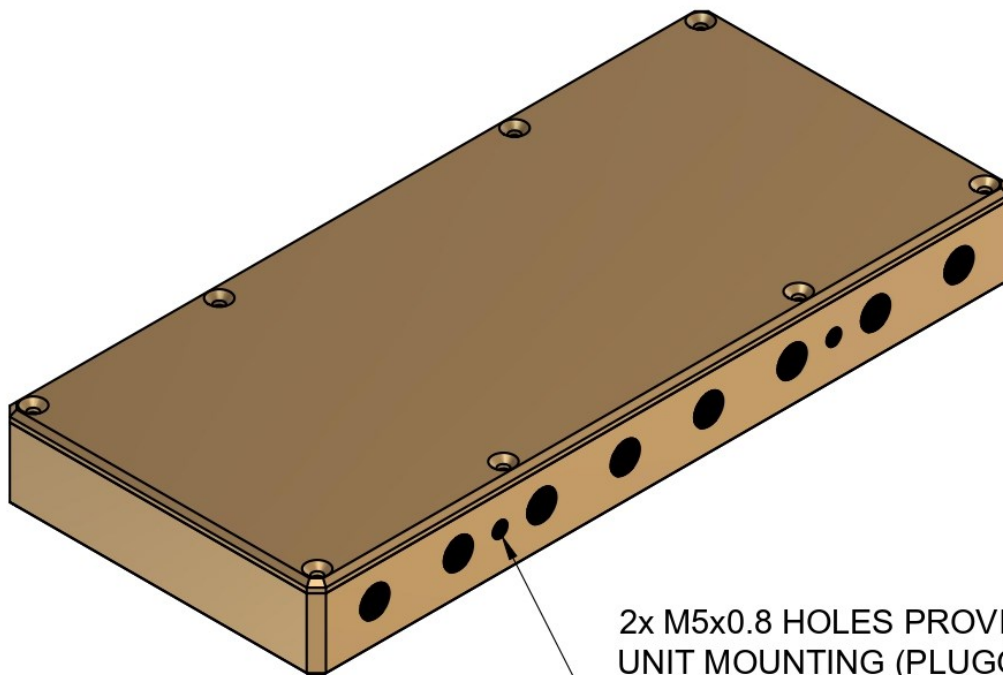
U-SP8/PZ-DCB

BNC 75 Ohm splitter DC blocked all ports

8 WAY UNIT HOUSING DIMENSIONS



8x LID SCREW HOLES
DRILLED THROUGH
& TAPPED M3x0.5mm
TO 10MM DEPTH FOR
MOUNTING UNIT



2x M5x0.8 HOLES PROVIDED FOR
UNIT MOUNTING (PLUGGED WITH
GRUB SCREWS AS STD)