



**UHF/IF 4 WAY PASSIVE COMBINER/SPLITTER**

**U-SPCO4/P\*- DC#**

**Description**

The Global Professional UHF / IF BAND PASSIVE 4 way Combiner/Splitter has been designed to combine or split a UHF or IF signal. The unit can be used in either configuration as splitter or combiner.

The unit can be configured for various dc passing options listed below.



UHF/IF Splitter

**Specifications**

Frequency Pass	50MHz - 950MHz
Through Loss	8dB ±1dB
Port to Port Isolation	+20dB
Return Loss	+15dB
DC Passing Options	See table
MAX DC Current	5 AMP
Connectors	See Below
Dimensions	116mm x 66mm x 26mm
Mounting Dimensions	105mm x 57mm
Weight	400 grams
RoSH/WEEE Compliant	YES

**\* Denotes Connector Type Available**

'N'	'N' Type 50 Ohm Female
'S'	'SMA' 50 Ohm Female
'F'	'F' 75 Ohm Female
'B'	'BNC' 50 Ohm Female
'Z'	'BNC' 75 Ohm Female
'T'	'TNC' 50 Ohm Female

**# Denotes DC Voltage Passing Options**

<b>DC1</b>	DC Passing port 1 Only
<b>DCB</b>	DC blocked All Ports
<b>DCA</b>	DC Passing All Ports

Example P/N Configuration

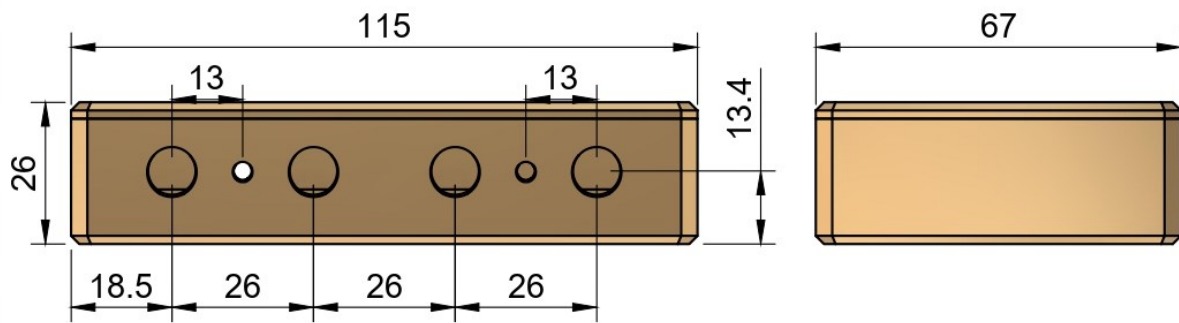
U-SPCO4/PN-DC1

N type splitter DC passing Port 1 Only

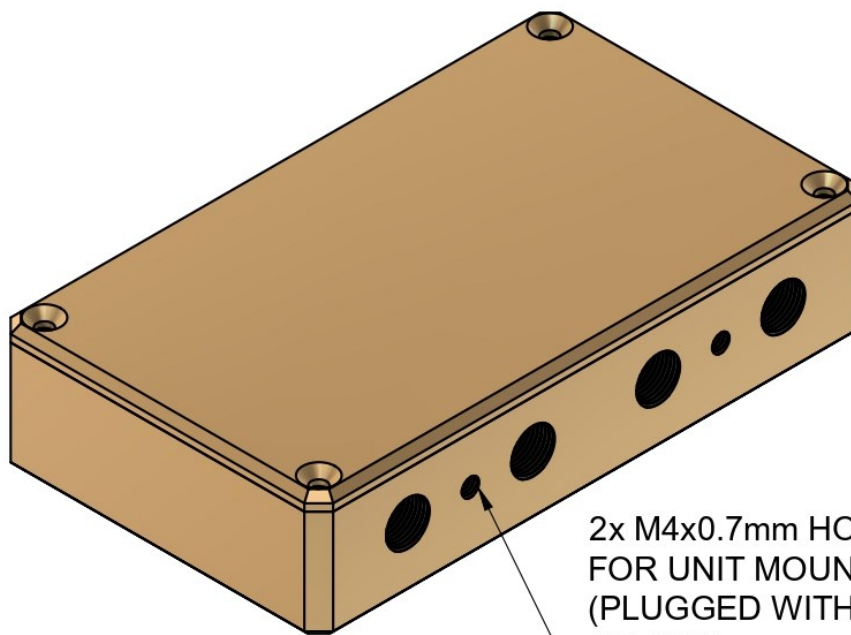
U-SPCO4/PZ-DCB

BNC 75 Ohm splitter DC blocked all ports

## 4 WAY UNIT HOUSING DIMENSIONS



4x LID SCREW HOLES  
DRILLED THROUGH  
& TAPPED M3x0.5mm  
TO 10mm DEPTH FOR  
MOUNTING UNIT



2x M4x0.7mm HOLES PROVIDED  
FOR UNIT MOUNTING  
(PLUGGED WITH GRUB SCREWS  
AS STD)