



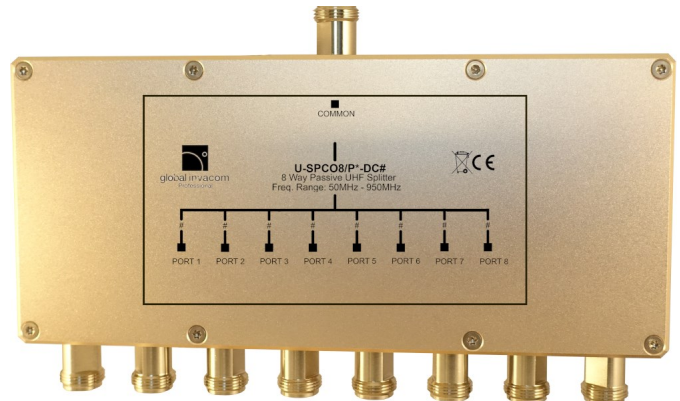
UHF/IF 8 WAY PASSIVE COMBINER/SPLITTER

U-SPC08/P*- DC#

Description

The Global Professional UHF / IF BAND PASSIVE 8 way Combiner/Splitter has been designed to combine or split a UHF or IF signal. The unit can be used in either configuration as splitter or combiner.

Various connector and dc passing options are available. See tables below.



UHF/IF Splitter

Specifications

Frequency Pass	50MHz - 950MHz
Through Loss	8dB ±1dB
Port to Port Isolation	+20dB
Return Loss	+15dB
DC Passing Options	See table
MAX DC Current	5 AMP
Connectors	See Below
Dimensions	218.5mm x 98.5mm x 26mm
Mounting Dimensions	208mm x 88mm
Weight	1200grams
RoSH/WEEE Compliant	YES

*** Denotes Connector Type Available**

'N'	'N' Type 50 Ohm Female
'S'	'SMA' 50 Ohm Female
'F'	'F' 75 Ohm Female
'B'	'BNC' 50 Ohm Female
'Z'	'BNC' 75 Ohm Female
'T'	'TNC' 50 Ohm Female

Denotes DC Voltage Passing Options

DC1	DC Passing port 1 Only
DCB	DC blocked All Ports
DCA	DC Passing All Ports

Example P/N Configuration

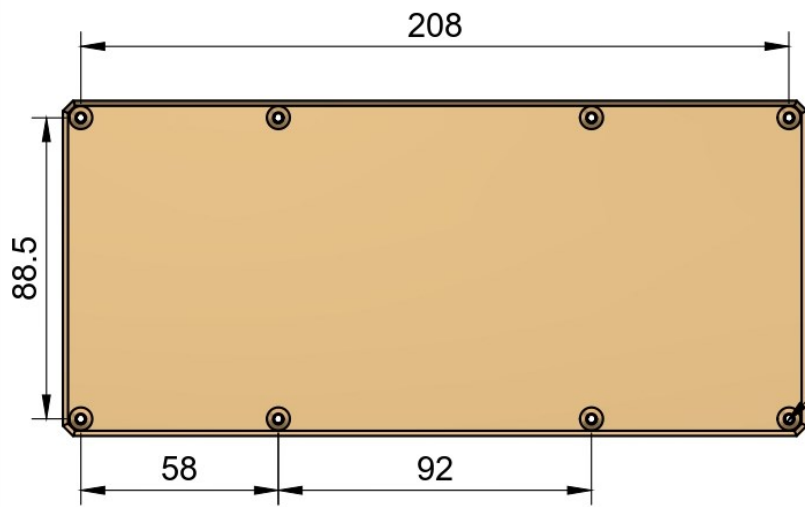
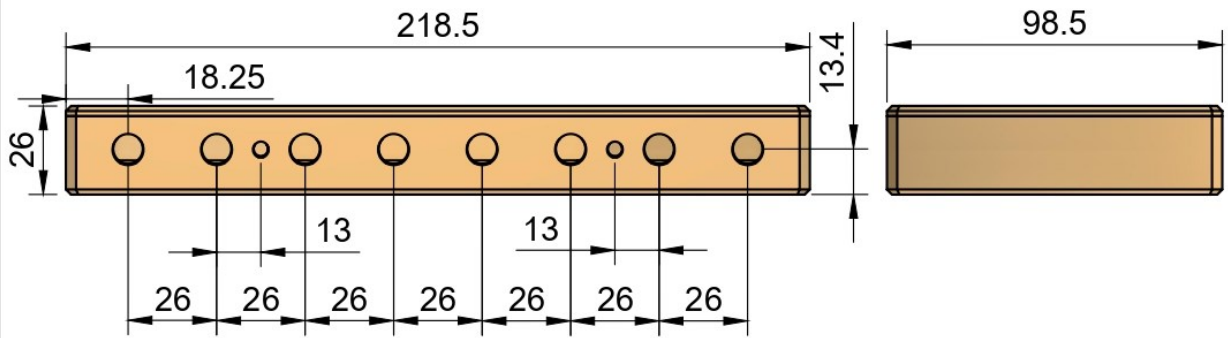
U-SPC08/PN-DC1

N type splitter DC passing Port 1 Only

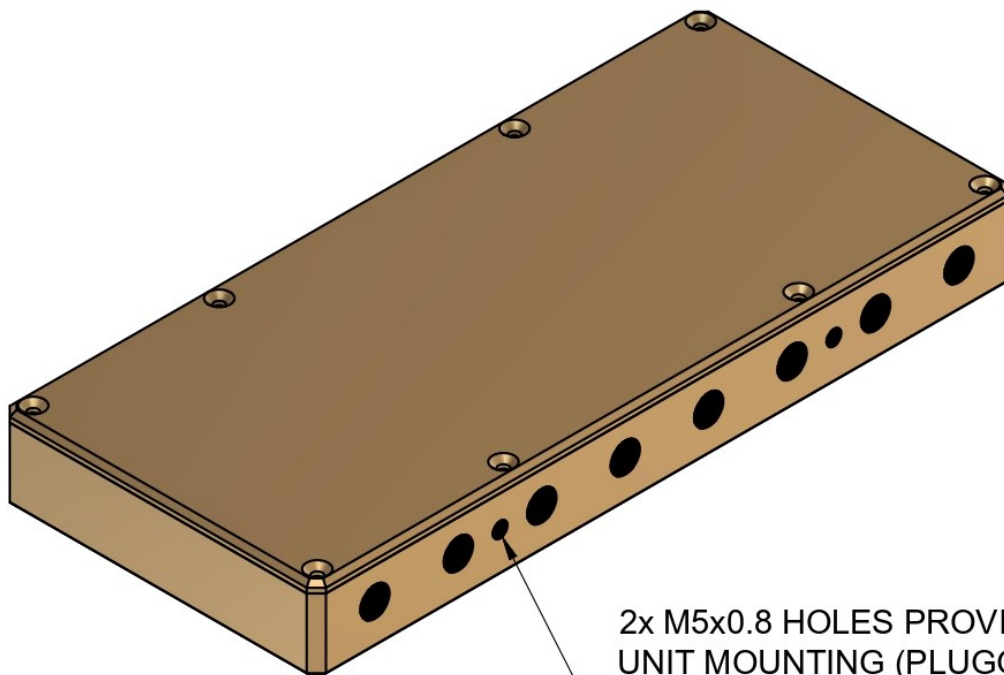
U-SPC08/PZ-DCB

BNC 75 Ohm splitter DC blocked all ports

8 WAY UNIT HOUSING DIMENSIONS



8x LID SCREW HOLES
DRILLED THROUGH
& TAPPED M3x0.5mm
TO 10MM DEPTH FOR
MOUNTING UNIT



2x M5x0.8 HOLES PROVIDED FOR
UNIT MOUNTING (PLUGGED WITH
GRUB SCREWS AS STD)