

VSAT Bi-AMP RX
V-BIAMPRX/AN-DCP

Description

The Global Professional VSAT BIAMPRX amplifies the L band signal from the LNB to the modem. Additionally the 10MHz Reference signal is also amplified if carried on the RX path. When ordering the customer should specify the level of amplification required on both L Band path and 10MHz path.

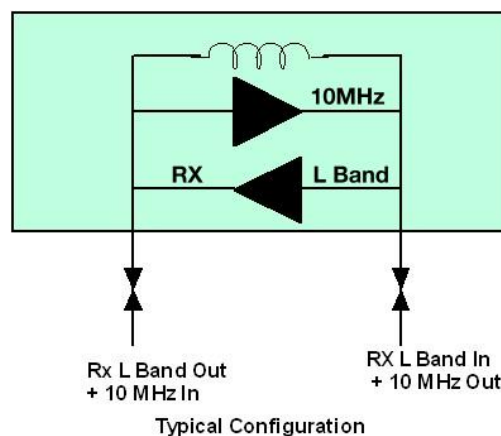
Power for the unit is taken from the LNB supply voltage passing through.



Specifications

L Band Frequency Pass	950 -2150MHz
Gain at L Band 0dBm Input	0 to +14dBm Factory Preset
Gain at 10MHz 0dBm Input	0 to +13dBm Factory Preset
Connectors	'N' type as standard 50 Ohm
Max. DC Current Pass through	4 Amps
Current consumption	100mA
Max DC voltage Pass through	48V
Connectors	N-Type 50 Ohm Female
Dimensions	115mm x 67mm x 26mm
Mounting Dimensions	105mm x 57mm (M3)
Weight	250 grams

VSAT



Other Connector configurations available upon request.