



VSAT 10MHz PASSING L Band Attenuator

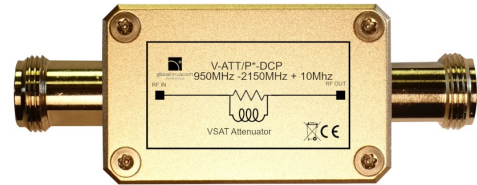
V-ATT/P*- DCP

Description

The Global Professional VSAT L band attenuator has been designed to attenuate the L band input by a specific value whilst still allowing both the 10MHz reference signal and DC to pass through.

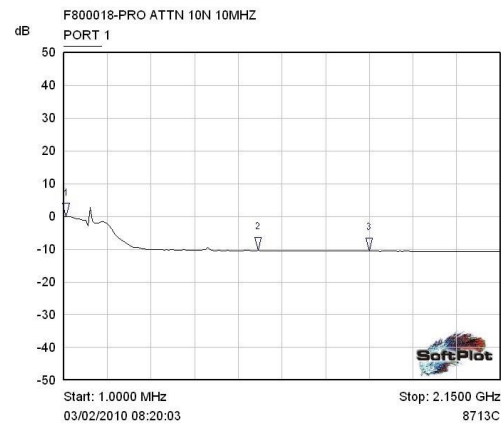
The attenuation value is pre-set at manufacture and can be specified by the customer prior to order placement.

Attenuation values available are given in the specification table below.



Specifications

	950 - 2150MHz
Frequency Pass	10MHz
Through Loss 10MHz	>1dB
L Band Through Loss 950 –2150MHz	Options available:- 6dB 10dB 20dB 30dB
DC Passing	48V Max
DC Current	5A Max
Connectors	See table below
Dimensions	56mm x 35mm x 25mm
Mounting Dimensions	47mm x 57mm (M3)
Weight	100 grams
RoSH/WEEE Compliant	YES



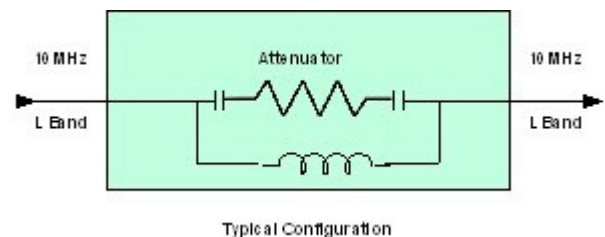
Mkr	Trace	X-Axis	Value	Notes
1	PORT 1	11.7450 MHz	-0.05 dB	
2	PORT 1	957.3050 MHz	-10.41 dB	
3	PORT 1	1.5053 GHz	-10.51 dB	

PORT 1 F800018-PRO ATTN 10N 10MHZ BN16500
10DB POWER & 10MHZ PASS

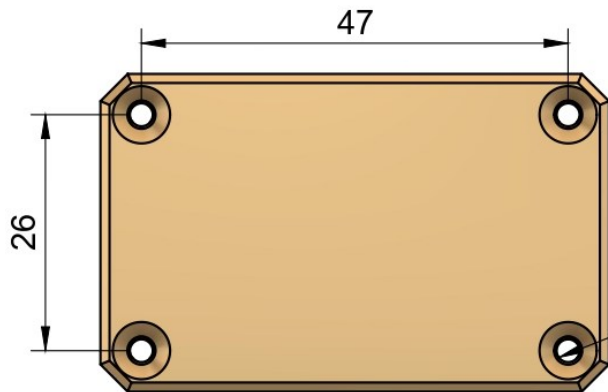
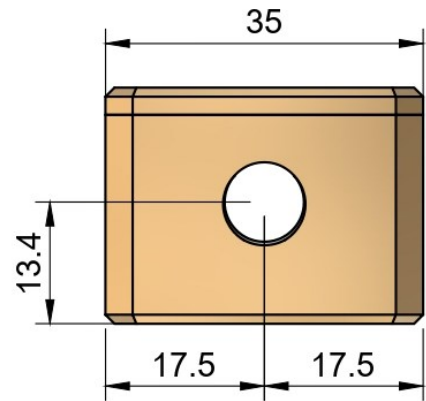
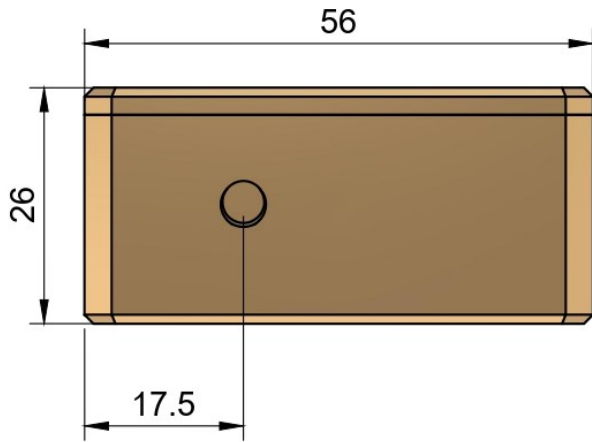
VSAT

*** Denotes Connector Type Available**

'N'	'N'	50 Ω	Female
'S'	'SMA'	50 Ω	Female
'F'	'F'	75 Ω	Female
'B'	'BNC'	50 Ω	Female
'Z'	'BNC'	75 Ω	Female
'T'	'TNC'	50 Ω	Female



LINE AMPLIFIER UNIT HOUSING DIMENSIONS



4x LID SCREW HOLES
DRILLED THOROUGH
& TAPPED M3x0.5mm
TO 10mm DEPTH FOR
MOUNTING UNIT

