



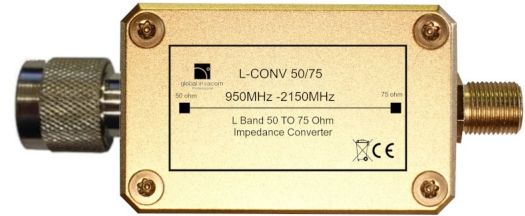
L Band 50 to 75 Ohm Impedance Converter

L-CONV5075/PNF-DCP

Description

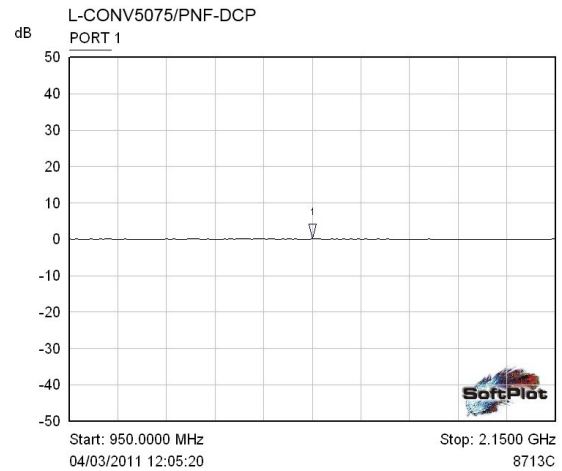
The Global Professional L band 50 to 75 Ohm Impedance converter has been designed to convert a 50 Ohm L Band path to 75 Ohm, or visa versa.

The product is also DC passing.



Specifications

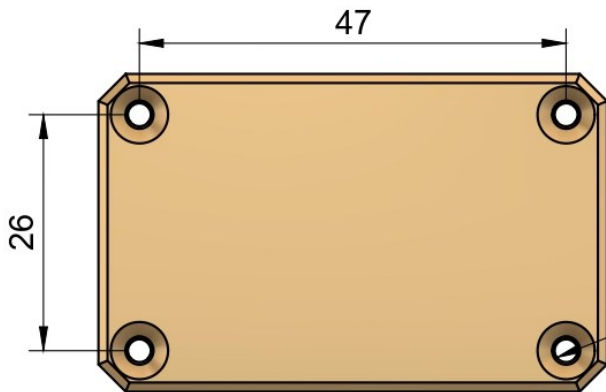
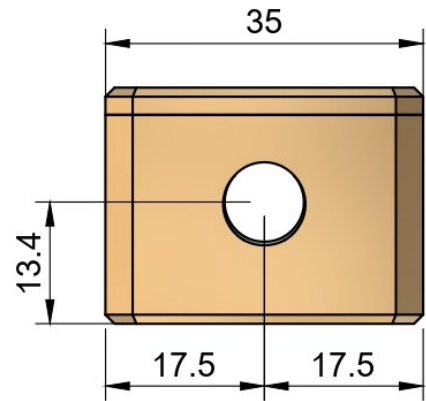
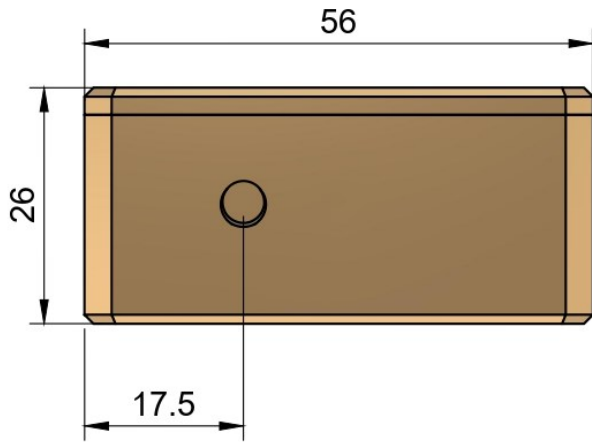
Frequency Pass	950 - 2150MHz
DC Passing	48V Max
DC Current	5A Max
Connectors	50 Ohm 'N' type male To 75 Ohm 'F' type female (as standard)
Dimensions	56mm x 35mm x 25mm
Mounting Dimensions	47mm x 57mm (M3)
Weight	100 grams
RoSH/WEEE Compliant	YES



Mkr	Trace	X-Axis	Value	Notes
1	PORT 1	1.5500 GHz	-0.11 dB	

LBand

LINE AMPLIFIER UNIT HOUSING DIMENSIONS



4x LID SCREW HOLES
DRILLED THOROUGH
& TAPPED M3x0.5mm
TO 10mm DEPTH FOR
MOUNTING UNIT

