

SATCOM RECEIVER

LNB

C-band PLL LNB R3000I



TYPICAL SPECIFICATIONS

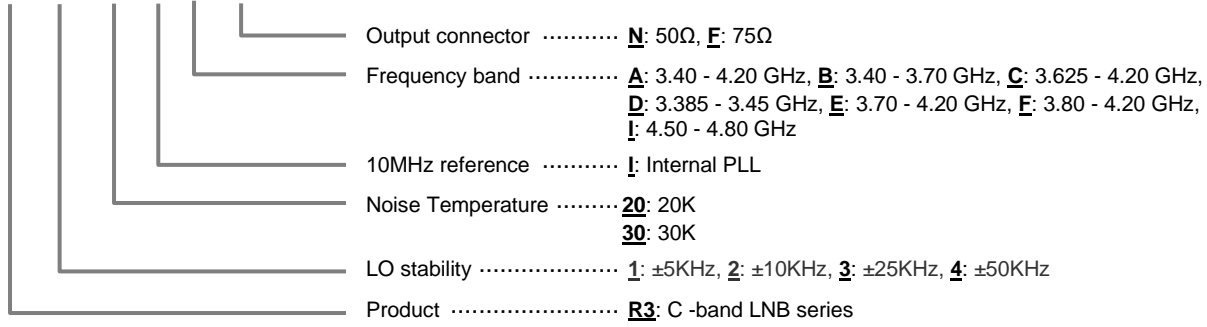
| | | | |
|--------------------------|---|------------------------------|--------------------------------|
| Noise temperature | 20K, 30K typ @+23°C | Spurious | |
| LO stability | ±5 to ±50 KHz | Signal related | -50dBc max @-10dBm |
| Phase noise | -78dBc/Hz @1KHz -88dBc/Hz @10KHz -100dBc/Hz @100KHz | Power supply related | -50dBc max @-10dBm |
| Input VSWR | 2.2 : 1 | Harmonics | -40dBc max @-10dBm |
| Output VSWR | 2.2 : 1 | DC voltage / current | +12 to +24 V / 250mA |
| Gain | 62dB typ | Input waveguide | CPR-229G |
| Output P1dB | +5dBm min | Output connector | N-female, F-female |
| RF input level | -30dBm max | Dimension | 99.1(L) x 98.8(W) x 75.0(H) mm |
| | | Weight | 600g |
| | | Operating temperature | -40 to +60°C |

FREQUENCY BANDS AVAILABLE

| Sub-band | A-band | B-band | C-band | D-band | E-band | F-band | I-band |
|----------------|-------------|-------------|--------------|--------------|-------------|-------------|-------------|
| RF freq. (GHz) | 3.40 - 4.20 | 3.40 - 3.70 | 3.625 - 4.20 | 3.385 - 3.45 | 3.70 - 4.20 | 3.80 - 4.20 | 4.50 - 4.80 |
| LO freq. (GHz) | 5.15 | 4.65 | 5.15 | 4.40 | 5.15 | 5.15 | 5.95 |
| IF freq. (MHz) | 950 - 1750 | 950 - 1250 | 950 - 1525 | 950 - 1015 | 950 - 1450 | 950 - 1350 | 1150 - 1450 |

HOW TO ORDER C-BAND PLL LNB

R3130IAF





SATCOM RECEIVER

OUTLINE DRAWING

