



9000SXUBF

9000 Ka-Simultaneous Quad Band PLL EXT LNB

Frequency Bands: 18.2 - 19.2 GHz & 19.2 - 20.2 GHz

W/G Isolator: No

Output Connector: F Connector



KEY SPECIFICATIONS

Band	Ka-Band
External Input Port	F Connector
External Ref Freq	10MHz, -5 to +5dBm
Input Frequency Band 1	18.20 - 19.20 GHz
Input Frequency Band 2	19.20 - 20.20 GHz
Input Frequency Band 3	20.20 - 21.20 GHz
Input Frequency Band 4	21.20 - 22.20 GHz
LO Frequency 1	17.25 GHz
LO Frequency 2	18.25 GHz
LO Frequency 3	19.25 GHz
LO Frequency 4	20.25 GHz
LO Stability	External Reference
Noise Figure Typ	2.3 dB
Output Frequency Band 1	950 - 1950 MHz
W/g Isolator	No

RF SPECIFICATIONS

Conversion Gain Max	65 dB
Conversion Gain Min	55dB
Conversion Gain Typ	60 dB
Gain Flatness (over Any 36mhz)	1 dB p-p
Gain Flatness (over Full Band)	4 dB p-p





Image Rejection	40 dBc min.
Input VSWR	3.5 : 1 max.
Output P1db	5 dBm min.
Output VSWR	2.2 : 1 max.
Phase Noise 100khz Offset Max	-95 dBc/Hz
Phase Noise 10khz Offset Max	-80 dBc/Hz
Phase Noise 1khz Offset Max	-70 dBc/Hz

ELECTRICAL SPECIFICATIONS

IF Connector	SMA Connector
Power Requirements	+12 to +24V DC

INTERFACE SPECIFICATIONS

RF Input Connector	WR 42
--------------------	-------

ENVIRONMENTAL SPECIFICATIONS

IP Rating	IP 67
Temperature Operational	-40 to +60°C

PHYSICAL SPECIFICATIONS

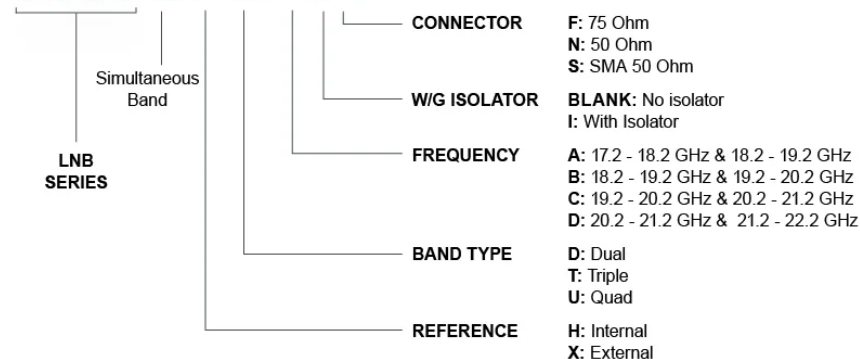
Product Dimensions (LxWxH)	38.4 x 141.0 x 188.2 mm
Product Weight	1000 g

LOGISTICS SPECIFICATIONS

HS Code	Country of Origin	Ex Works	ECCN Number	Unit Package
8517690000	Made in Korea	Korea	EAR99	190 x 145 x 40 mm 1400 g

HOW TO ORDER

9000SHDAIF





MECHANICAL DIAGRAMS

