



9500HBN-4

9500 Single-Band Ka-Band PLL LNB

Frequency: B: 19.2-20.2 GHz

W/G Isolator: No

Connector: N-50 Ohm



KEY SPECIFICATIONS

Band	Ka-Band
Input Frequency Band 1	19.20 - 20.20 GHz
LO Frequency 1	18.25 GHz
LO Stability	±50 kHz
LO Type	PLL
Noise Figure Max	1.3 dB
Noise Figure Typ	1.6 dB
Of Onboard Los	Single-band
Output Frequency Band 1	950 - 1950 MHz

RF SPECIFICATIONS

Conversion Gain Max	65 dB
Conversion Gain Min	55 dB
Conversion Gain Typ	60 dB
Output P1db	+ 5 dBm min.
Output VSWR	2.0 : 1 max.
Phase Noise 100khz Offset Max	-95 dBc/Hz
Phase Noise 10khz Offset Max	-80 dBc/Hz
Phase Noise 1khz Offset Max	-70 dBc/Hz

ELECTRICAL SPECIFICATIONS

Power Requirements	+12 to +24V DC
--------------------	----------------

INTERFACE SPECIFICATIONS

Isolator	No Isolator
RF Input Connector	WR-42 waveguide grooved





ENVIRONMENTAL SPECIFICATIONS

Temperature Operational	-40 to +60°C
Temperature Storage	-40 to +80°C

PHYSICAL SPECIFICATIONS

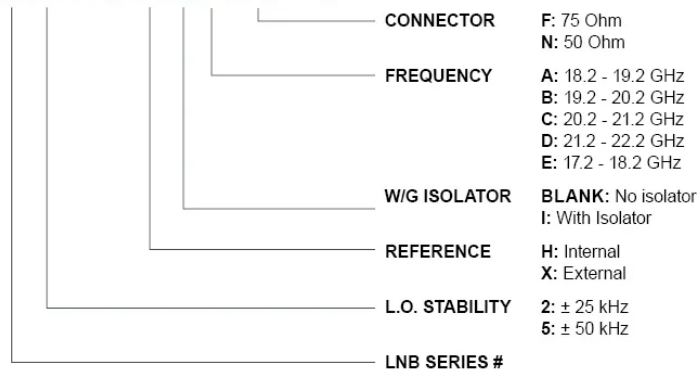
Product Dimensions (LxWxH)	120 x 60 x 45 mm
Product Weight	420 g (14.82 oz)

LOGISTICS SPECIFICATIONS

HS Code	Country of Origin	Ex Works	ECCN Number	Unit Package
8517690000	Made in Korea	Korea	EAR99	145 x 95 x 65 mm 480g

HOW TO ORDER

9200HIAN-4



MECHANICAL DIAGRAMS



