



# 9500HDN-4

## 9500 Single-Band Ka-Band PLL LNB

Frequency: D: 21.2-22.2 GHz

W/G Isolator: No

Connector: N-50 Ohm



### KEY SPECIFICATIONS

Band	Ka-Band
Input Frequency Band 1	20.20 - 21.20 GHz
LO Frequency 1	20.25 GHz
LO Stability	±50 kHz
LO Type	PLL
Noise Figure Max	1.5 dB
Noise Figure Typ	1.8 dB
Of Onboard Los	Single-band
Output Frequency Band 1	950 - 1950 MHz

### RF SPECIFICATIONS

Conversion Gain Max	65 dB
Conversion Gain Min	55 dB
Conversion Gain Typ	60 dB
Output P1db	+ 5 dBm min.
Output VSWR	2.0 : 1 max.
Phase Noise 100khz Offset Max	-95 dBc/Hz
Phase Noise 10khz Offset Max	-80 dBc/Hz
Phase Noise 1khz Offset Max	-70 dBc/Hz

### ELECTRICAL SPECIFICATIONS

Power Requirements	+12 to +24V DC
--------------------	----------------

### INTERFACE SPECIFICATIONS

Isolator	No Isolator
RF Input Connector	WR-42 waveguide grooved





## ENVIRONMENTAL SPECIFICATIONS

Temperature Operational	-40 to +60°C
Temperature Storage	-40 to +80°C

## PHYSICAL SPECIFICATIONS

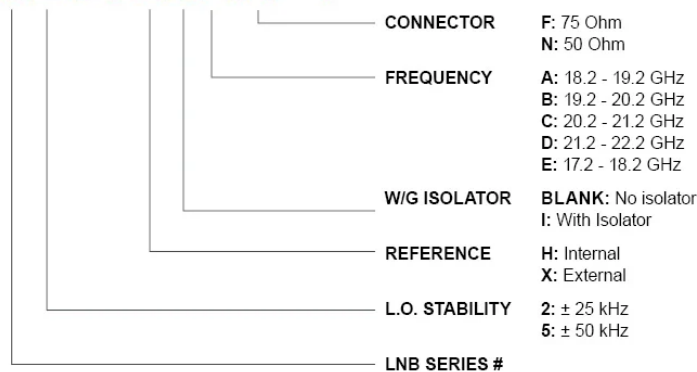
Product Dimensions (LxWxH)	120 x 60 x 45 mm
Product Weight	420 g (14.82 oz)

## LOGISTICS SPECIFICATIONS

HS Code	Country of Origin	Ex Works	ECCN Number	Unit Package
8517690000	Made in Korea	Korea	EAR99	145 x 95 x 65 mm   480g

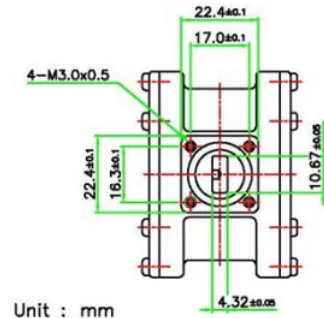
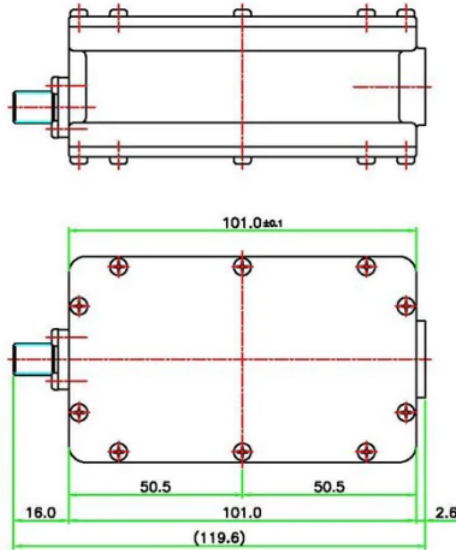
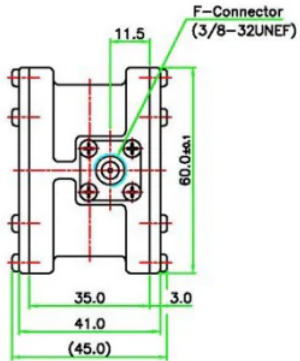
## HOW TO ORDER

### 9200HIAN-4



## MECHANICAL DIAGRAMS





Unit : mm