



# ELMTBC100HT-WN-

## A

### ELEMENT 100W C-Band BUC (High Temperature Range)

**Input Frequency:** 5.850 - 6.725 GHz

**Input Connector:** N-Connector

**Input Voltage + M&C:** 85-265 VAC + No M&C

**Function:** Function



### KEY SPECIFICATIONS

Band	C-Band
External Ref Freq	10 MHz, -5 to +5 dBm
Input Frequency Band 1	950 - 1825 MHz
LO Frequency 1	4.9 GHz
Output Frequency Band 1	5.850 - 6.725 GHz
Output Power Rated	100W
Reference Type	Internal Reference

### RF SPECIFICATIONS

Gain Flatness (over 54mhz)	1.5 dB
Gain Flatness (over Full Band)	5 dB
Gain Flatness (over Temperature)	4 dB
Input VSWR	2 : 1 max.
Linear Gain	80 dB typ.
Output P1db	+50 dBm min. over temperature
Output Spurious In Band	-55 dBc
Output Spurious Out Of Band	-50 dBc
Output VSWR	2 : 1 max.
Phase Noise 100khz Offset Max	-95 dBc/Hz
Phase Noise 10khz Offset Max	-85 dBc/Hz
Phase Noise 1khz Offset Max	-75 dBc/Hz





## ELECTRICAL SPECIFICATIONS

Current Consumption	650W max.
Power Requirements	+85 to +265V AC

## INTERFACE SPECIFICATIONS

Frequency Sense	Non-inverted
IF Connector	N-Connector

## ENVIRONMENTAL SPECIFICATIONS

Humidity	Up to 100%
IP Rating	IP 54
Temperature Operational	-40 to +60°C
Temperature Storage	-40 to +75°C

## PHYSICAL SPECIFICATIONS

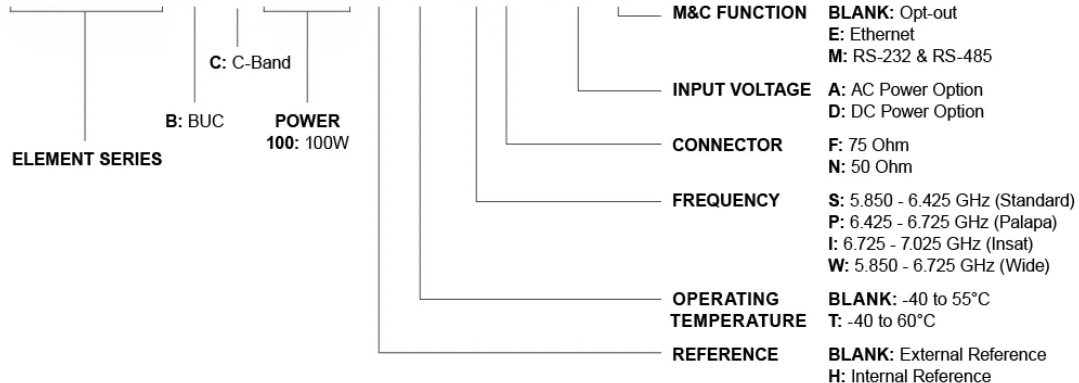
Internal Function	Lock detector shuts off Tx in case of LO unlocked
Product Dimensions (LxWxH)	235 x 190 x 145 mm
Product Weight	7.5 kg (+1.0 kg mounting jig)

## LOGISTICS SPECIFICATIONS

HS Code	Country of Origin	Ex Works	ECCN Number	Unit Package
8543700000	Made in Korea	Korea	EAR99	290 x 270 x 250 mm   8.5 kg

## HOW TO ORDER

### ELMTBC100HT-SF-AE



## MECHANICAL DIAGRAMS



