



# LNB

## C-BAND 5200I

### PLL



## FEATURES

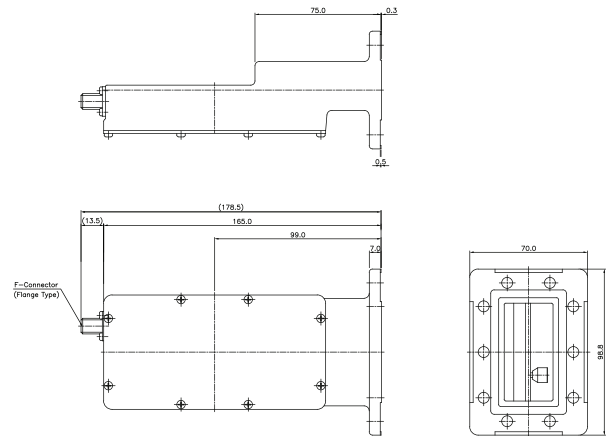
Ideal for DBV (Digital Broadcast Video), VSAT Broadband, Military Satcom, Point-of-Sale, and Oil and Gas applications

- LO Stability +/- 150 kHz to +/- 250 kHz
- 15 K noise temperature
- 580 grams / 20.5 ounces

## FREQUENCY BANDS AVAILABLE

<b>Input frequency (GHz)</b>	4.5 – 4.8 GHz
<b>L.O. frequency (GHz)</b>	5.95 GHz
<b>Output frequency (MHz)</b>	1150 – 1450 MHz

## MECHANICAL DIAGRAM



## TYPICAL SPECIFICATIONS

<b>L.O. stability</b>	±150 kHz, ±250 kHz
<b>Noise temperature</b>	15 K typ., 30 K max.
<b>Phase noise</b>	-65 dBc/Hz @ 1 kHz offset -80 dBc/Hz @ 10 kHz offset -95 dBc/Hz @ 100 kHz offset
<b>Input VSWR &amp; Output VSWR</b>	2.5:1
<b>Conversion gain</b>	62 dB typical 55 dB min 70 dB max
<b>Output P1dB</b>	5 dBm
<b>Power requirements</b>	12 - 24V DC supplied through center conductor of IF cable
<b>Current drain</b>	250 mA
<b>Input Waveguide</b>	CPR 229G
<b>Dimensions</b>	190 (L) x 115 (W) x 78 (H) mm (7.1 x 4.0 x 2.8 in)
<b>Weight</b>	580 g / 20.5 oz
<b>Temperature Range</b>	-40°C to +60°C

## HOW TO ORDER

<b>5250IF</b>	<b>CONNECTOR</b>	F - 75 Ohm N - 50 Ohm
	<b>L.O. STABILITY</b>	15 - ±150 kHz 25 - ±250 kHz
	<b>LNB SERIES #</b>	

