



ELMTBC080HT-WN-

A

ELEMENT 80W C-Band BUC (High Temperature Range)

Input Frequency: 5.850 - 6.725 GHz

Input Connector: N-Connector

Input Voltage + M&C: 85-265 VAC + No M&C

Function: Function



KEY SPECIFICATIONS

| | |
|-------------------------|----------------------|
| Band | C-Band |
| External Ref Freq | 10 MHz, -5 to +5 dBm |
| Input Frequency Band 1 | 950 - 1825 MHz |
| LO Frequency 1 | 4.9 GHz |
| Output Frequency Band 1 | 5.850 - 6.725 GHz |
| Output Power Rated | 80W |
| Reference Type | Internal Reference |

RF SPECIFICATIONS

| | |
|----------------------------------|-------------------------------|
| Gain Flatness (over 54mhz) | 1.5 dB |
| Gain Flatness (over Full Band) | 5 dB |
| Gain Flatness (over Temperature) | 4 dB |
| Input VSWR | 2 : 1 max. |
| Linear Gain | 80 dB typ. |
| Output P1db | +49 dBm min. over temperature |
| Output Spurious In Band | -55 dBc |
| Output Spurious Out Of Band | -50 dBc |
| Output VSWR | 2 : 1 max. |
| Phase Noise 100khz Offset Max | -95 dBc/Hz |
| Phase Noise 10khz Offset Max | -85 dBc/Hz |
| Phase Noise 1khz Offset Max | -75 dBc/Hz |





ELECTRICAL SPECIFICATIONS

| | |
|---------------------|-----------------|
| Current Consumption | 650W max. |
| Power Requirements | +85 to +265V AC |

INTERFACE SPECIFICATIONS

| | |
|-----------------|--------------|
| Frequency Sense | Non-inverted |
| IF Connector | N-Connector |

ENVIRONMENTAL SPECIFICATIONS

| | |
|-------------------------|--------------|
| Humidity | Up to 100% |
| IP Rating | IP 54 |
| Temperature Operational | -40 to +60°C |
| Temperature Storage | -40 to +75°C |

PHYSICAL SPECIFICATIONS

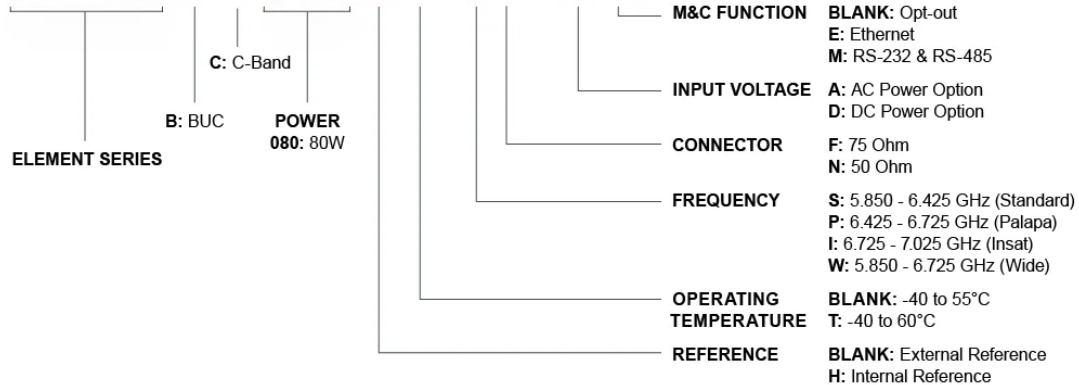
| | |
|----------------------------|---|
| Internal Function | Lock detector shuts off Tx in case of LO unlocked |
| Product Dimensions (LxWxH) | 235 x 190 x 145 mm |
| Product Weight | 8.5 kg |

LOGISTICS SPECIFICATIONS

| HS Code | Country of Origin | Ex Works | ECCN Number | Unit Package |
|------------|-------------------|----------|-------------|-----------------------------|
| 8543700000 | Made in Korea | Korea | EAR99 | 290 x 270 x 250 mm 8.5 kg |

HOW TO ORDER

ELMTBC080HT-SF-AE



MECHANICAL DIAGRAMS



