



# ELMTBC050HT-SN-

## AM

### ELEMENT 50W C-Band BUC (High Temperature Range)

**Input Frequency:** S: 5.850 - 6.425 GHz

**Input Connector:** N-Connector

**Input Voltage + M&C:** 85-265 VAC + RS-232 &

**Function:** RS-485



## KEY SPECIFICATIONS

|                                |                      |
|--------------------------------|----------------------|
| <b>Band</b>                    | C-Band               |
| <b>External Ref Freq</b>       | 10 MHz, -5 to +5 dBm |
| <b>Input Frequency Band 1</b>  | 950 - 1525 MHz       |
| <b>LO Frequency 1</b>          | 4.9 GHz              |
| <b>Output Frequency Band 1</b> | 5.850 - 6.425 GHz    |
| <b>Output Power Rated</b>      | 50W                  |
| <b>Reference Type</b>          | Internal Reference   |

## RF SPECIFICATIONS

|   |                               |
|---|-------------------------------|
| <b>Gain Flatness (over 54mhz)</b>       | 1.5 dB                        |
| <b>Gain Flatness (over Full Band)</b>   | 4 dB                          |
| <b>Gain Flatness (over Temperature)</b> | 4 dB                          |
| <b>Input VSWR</b>                       | 2 : 1 max.                    |
| <b>Linear Gain</b>                      | 73 dB typ.                    |
| <b>Output P1db</b>                      | +47 dBm min. over temperature |
| <b>Output Spurious In Band</b>          | -60 dBc                       |
| <b>Output Spurious Out Of Band</b>      | -50 dBc                       |
| <b>Output VSWR</b>                      | 2 : 1 max.                    |
| <b>Phase Noise 100khz Offset Max</b>    | -95 dBc/Hz                    |
| <b>Phase Noise 10khz Offset Max</b>     | -85 dBc/Hz                    |
| <b>Phase Noise 1khz Offset Max</b>      | -75 dBc/Hz                    |





## ELECTRICAL SPECIFICATIONS

|                     |                 |
|---------------------|-----------------|
| Current Consumption | 310WAC max.     |
| Power Requirements  | +85 to +265V AC |

## INTERFACE SPECIFICATIONS

|                 |              |
|-----------------|--------------|
| Frequency Sense | Non-inverted |
| IF Connector    | N-Connector  |

## ENVIRONMENTAL SPECIFICATIONS

|                         |              |
|-------------------------|--------------|
| Humidity                | Up to 100%   |
| IP Rating               | IP 54        |
| Temperature Operational | -40 to +60°C |
| Temperature Storage     | -40 to +75°C |

## PHYSICAL SPECIFICATIONS

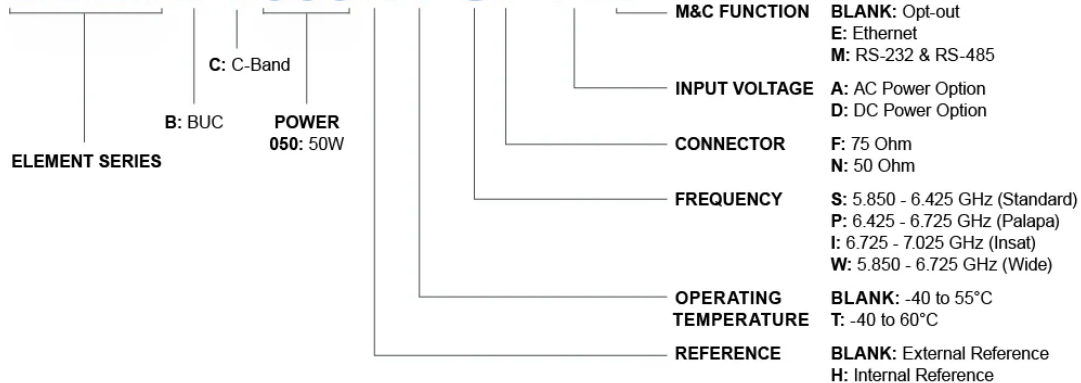
|                            |   |
|----------------------------|---|
| Internal Function          | Lock detector shuts off Tx in case of LO unlocked |
| Product Dimensions (LxWxH) | 220 x 195 x 183 mm                                |
| Product Weight             | 7.0 kg  |

## LOGISTICS SPECIFICATIONS

| HS Code    | Country of Origin | Ex Works | ECCN Number | Unit Package                   |
|------------|-------------------|----------|-------------|--------------------------------|
| 8543700000 | Made in Korea     | Korea    | EAR99       | 290 x 270 x 250 mm  <br>8.5 kg |

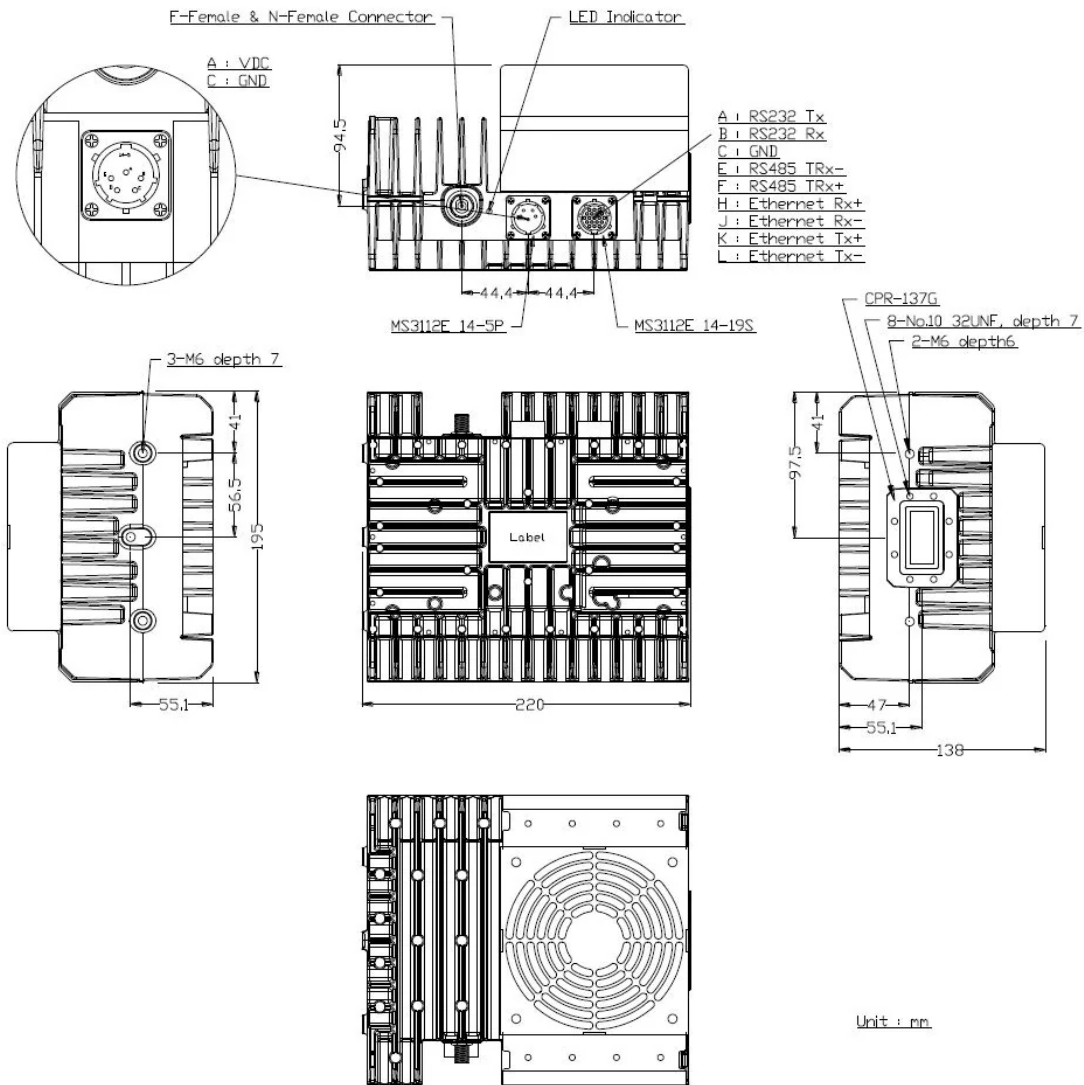
## HOW TO ORDER

### ELMTBC050HT-SF-AE



## MECHANICAL DIAGRAMS







Norsat  
International Inc.

Innovative Communication Solutions



