



ELMTBC050HT-IN-AM

ELEMENT 50W C-Band BUC (High Temperature Range)

Input Frequency: I: 6.725 - 7.025 GHz

Input Connector: N-Connector

Input Voltage + M&C: 85-265 VAC + RS-232 & RS-485

Function: RS-485



KEY SPECIFICATIONS

Band	C-Band
External Ref Freq	10 MHz, -5 to +5 dBm
Input Frequency Band 1	975 - 1275 MHz
LO Frequency 1	5.75 GHz
Output Frequency Band 1	6.725 - 7.025 GHz
Output Power Rated	50W
Reference Type	Internal Reference

RF SPECIFICATIONS

Gain Flatness (over 54mhz)	1.5 dB
Gain Flatness (over Full Band)	4 dB
Gain Flatness (over Temperature)	4 dB
Input VSWR	2 : 1 max.
Linear Gain	73 dB typ.
Output P1db	+47 dBm min. over temperature
Output Spurious In Band	-60 dBc
Output Spurious Out Of Band	-50 dBc
Output VSWR	2 : 1 max.
Phase Noise 100khz Offset Max	-95 dBc/Hz
Phase Noise 10khz Offset Max	-85 dBc/Hz
Phase Noise 1khz Offset Max	-75 dBc/Hz





ELECTRICAL SPECIFICATIONS

Current Consumption	310WAC max.
Power Requirements	+85 to +265V AC

INTERFACE SPECIFICATIONS

Frequency Sense	Non-inverted
IF Connector	N-Connector

ENVIRONMENTAL SPECIFICATIONS

Humidity	Up to 100%
IP Rating	IP 54
Temperature Operational	-40 to +60°C
Temperature Storage	-40 to +75°C

PHYSICAL SPECIFICATIONS

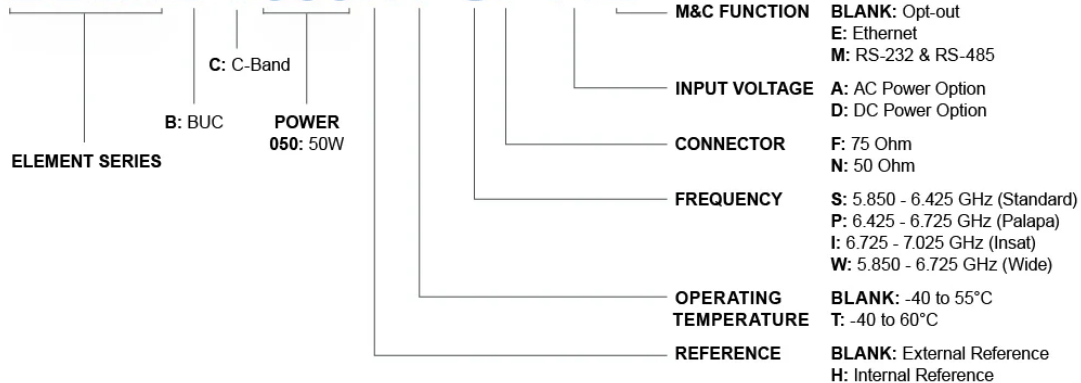
Internal Function	Lock detector shuts off Tx in case of LO unlocked
Product Dimensions (LxWxH)	220 x 195 x 183 mm
Product Weight	7.0 kg

LOGISTICS SPECIFICATIONS

HS Code	Country of Origin	Ex Works	ECCN Number	Unit Package
8543700000	Made in Korea	Korea	EAR99	290 x 270 x 250 mm 8.5 kg

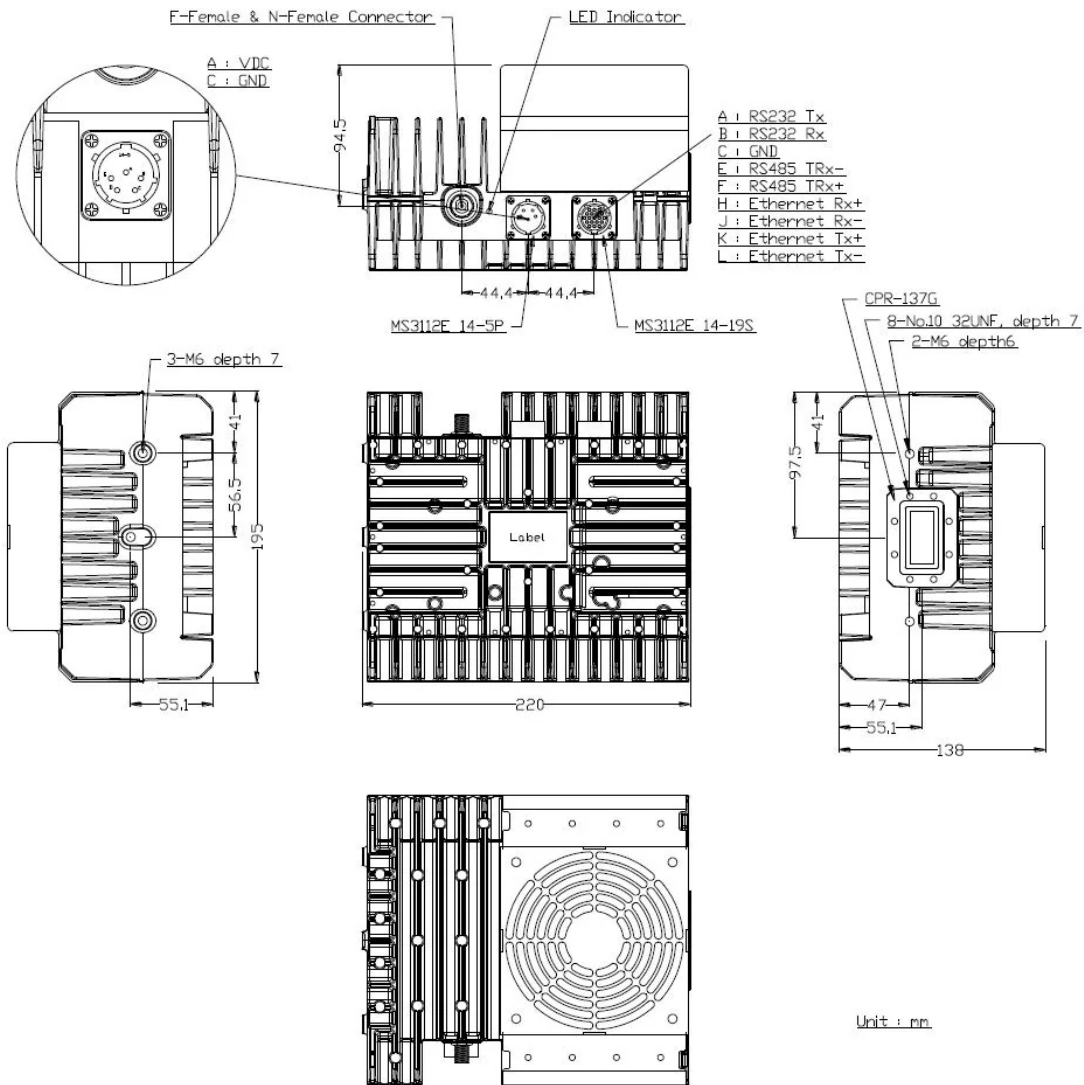
HOW TO ORDER

ELMTBC050HT-SF-AE



MECHANICAL DIAGRAMS







Norsat
International Inc.

Innovative Communication Solutions



