



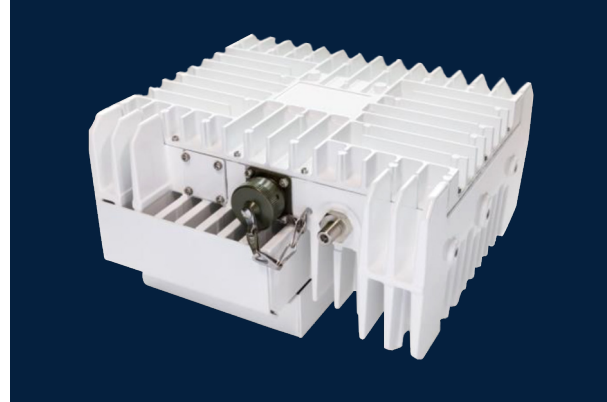
# BUC

## C-BAND 10W

### ELMTBC

#### ELEMENT SERIES

#### SPECIFICATIONS



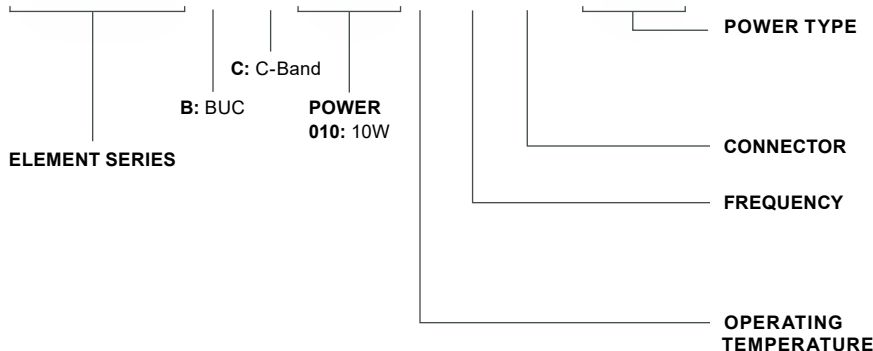
<b>Output Power (P1dB)</b>	40 dBm min.	<b>Input Voltage</b>	+18V to +24V DC +36 to +60V DC 85 to 265V AC via MS Connector
<b>Output Power (Psat)</b>	40.5 dBm min.	<b>Power Consumption</b>	<b>DC:</b> 80W max.   <b>AC:</b> 100W max.
<b>Phase Noise (SSB) max.</b>	-65 dBc/Hz at 100Hz -75 dBc/Hz at 1kHz -85 dBc/Hz at 10kHz -95 dBc/Hz at 100kHz	<b>Input (waterproof)</b>	Type F Connector (75 Ohm) Type N Connector (50 Ohm)
<b>Linear Gain</b>	65 dB typ., 60 dB min., 70 dB max.	<b>Output (waterproof)</b>	CPR-137G
<b>Gain Flatness:</b>	<b>Over Full Band</b> ≤ 4.0 dB p-p ( -55dBc for Wide) <b>Over Any 40 MHz</b> ≤ 1.5 dB p-p <b>Over Temperature</b> ≤ 4.0 dB p-p	<b>Dimensions (L x W x H)</b>	<b>DC:</b> 220 x 194.2 x 103.5 mm (8.66 in x 7.65 in x 4.07 in) <b>AC:</b> 220 mm x 194.2 mm x 149.3 mm (8.66 in x 7.65 in x 5.88 in)
<b>Output Spurious:</b>	<b>In-Band</b> ≤ -60 dBc (-55 dBc for Wide) <b>Out-of-Band</b> ≤ -50 dBc	<b>Weight</b>	<b>DC:</b> 4.5 kg (9.92 lb)   <b>AC:</b> 5.5 kg (12.12 lb)
<b>Input VSWR</b>	2.0 : 1 max.	<b>Operating Temperature</b>	-40 to +55°C   -40 to +60°C
<b>Output VSWR</b>	2.0 : 1 max.	<b>Humidity</b>	0-100% condensing
		<b>External Ref Freq</b>	10 MHz (sine-wave), -5 to +5 dBm
		<b>Enclosed Accessories</b>	Screws, Gasket

#### FREQUENCY BANDS

	<b>S: Standard</b>	<b>P: Palapa</b>	<b>I: Insat</b>	<b>W: Wide</b>	<b>E: Extended</b>
<b>Transmit Frequency (GHz)</b>	5.850 - 6.425	6.425 - 6.725	6.725 - 7.025	5.850-6.725	6.425 - 7.025
<b>L.O. Frequency (GHz)</b>	4.90	5.275	5.75	4.90	5.275
<b>IF Frequency (MHz)</b>	950 - 1525	1150 - 1450	975 - 1275	950 - 1825	1150 - 1750

#### HOW TO ORDER

# ELMTBC010T-PN-MS



**BLANK:** +18 to +24V DC via IFL  
**MS:** +18 to +24V DC via MS Connector  
**H:** +36 to +60V DC via IFL  
**HMS:** +36 to +60V DC via MS Connector  
**A:** AC Power via MS Connector

**F:** Type F Connector (75 Ohm)  
**N:** Type N Connector (50 Ohm)

**S:** Standard  
**P:** Palapa  
**I:** Insat  
**W:** Wide  
**E:** Extended

**BLANK:** -40 to +55 °C  
**T:** -40 TO +60 °C



# C-BAND 10W: ELMTBC

## MECHANICAL DIAGRAM

