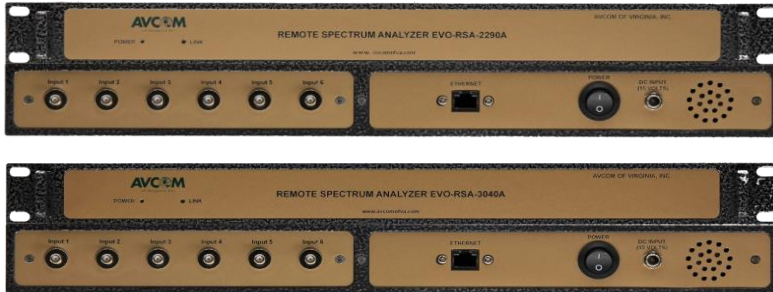


EVO-RSA-SERIES

Rack-mount Extended-Band Spectrum Analyzer



- SDR Technology
- 400-3000 MHz
- Span up to 1100 MHz
- Up to 12 Inputs Available
- Ethernet Remote M & C via included EVO-GUI Software

Rack Mount for Performance and Reliability

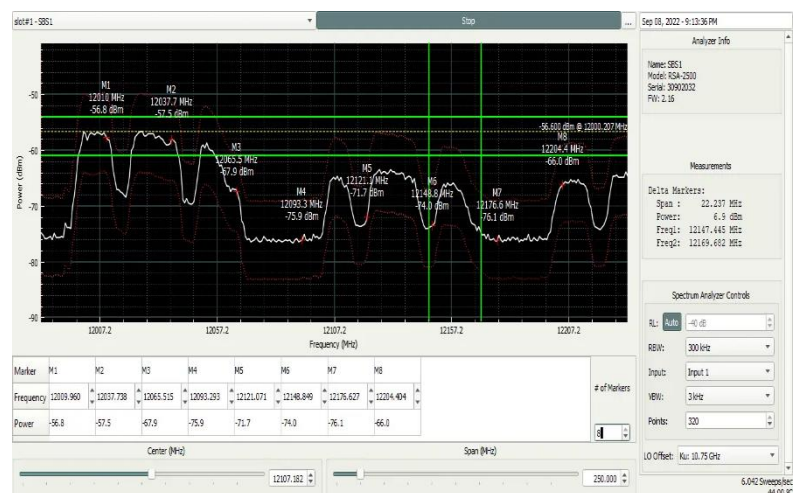
Software-defined-radio spectrum analyzer for remote spectrum monitoring of L-band signals in a versatile 1RU enclosure. Remote access over ethernet utilizing included Avcom's EVO-GUI software, or user-defined API. Provides system integrator and end-user total flexibility in configuration of many features such as, markers, shape alarms and recording. Robust hardware design based on field-proven

Versatile Remote-Control Software

The EVO-RSA is designed for the measurement and analysis of communications and broadcast carriers, making Satcom link, L-Band carriers, easy to measure, monitor, and record. The EVO-RSA provides excellent uplink, downlink frequency and amplitude accuracy along with resolution bandwidth (RBW) selection from 1kHz to 1MHz. This is required to allow viewing and monitoring of Telemetry, Tracking, Command Systems (TT&C), data carriers found in many satellite systems, spread spectrum, and Wi-Fi as well. Variable reference levels (RL) from -10dB to -40dB make viewing of smaller to larger signals possible.

“Following the Signal”, and listening to our customers, this series is perfectly suited to provide functionality in earth stations, teleports, and RF signal monitoring environments. The EVO-GUI software pairs perfectly with all Avcom analyzers for demanding applications which require the extended performance characteristics, while still providing low cost-of ownership and a highly cost-effective and reliable professional product.

Visit www.avcomofva.com/EVO-GUI to download and connect to test analyzer products.



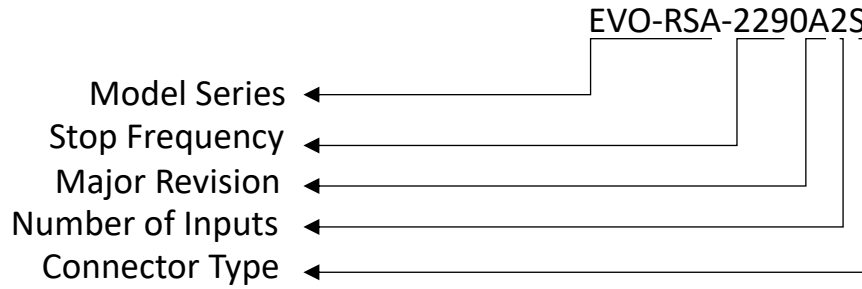
EVO-RSA-SERIES - Technical Specifications

PARAMETER	PERFORMANCE
FREQUENCY RANGE:	-2290A 900 - 2200 MHz -3040A 400 - 3000MHz
SPAN WIDTH:	Up to 1100 MHz
RESOLUTION BANDWIDTH:	1kHz, 3kHz, 10kHz, 100kHz, 300kHz, 1MHz
REFERENCE LEVELS:	Selectable -10 to -40 dBm in 10dB increments
SFDR:	60dB
AMPLITUDE ACCURACY:	± 1 dB typical
USABLE AMPLITUDE RANGE:	-100 to -10 dBm
FREQUENCY ACCURACY:	± 1 kHz typical
PORT-TO-PORT ISOLATION:	50 dB typical
MAX RF INPUT:	25 VDC MAX (DC Blocked); +0 dBm
INPUT IMPEDANCE:	50 Ω
INPUT CONNECTORS:	SMA - 2-Inputs, Standard
RETURN LOSS:	-15 dB
NOISE FLOOR (min atten, 3kHz RBW)	-100 dBm, -134 dBm/Hz
NOISE FLOOR (max atten, 3kHz RBW) -	-70 dBm, -104 dBm/Hz
NOISE FIGURE (RL=-40dBm)	2.1 dB
PHASE NOISE @ 10 kHz (2 GHz)	-83 dBc/Hz
PHASE NOISE @ 100 kHz (2 GHz)	-85 dBc/Hz
PHASE NOISE @ 1 MHz (2 GHz)	-96 dBc/Hz
OPERATING TEMPERATURE RANGE:	-20° C to +60° C
ENCLOSURE DIMENSIONS SIZE:	19W x 18L x 1.75H (in); 48.26 x 45.72 x 4.44 (cm)
WEIGHT:	7 lbs; 3.2 kg
POWER REQUIREMENTS:	+15 VDC, 0.5A

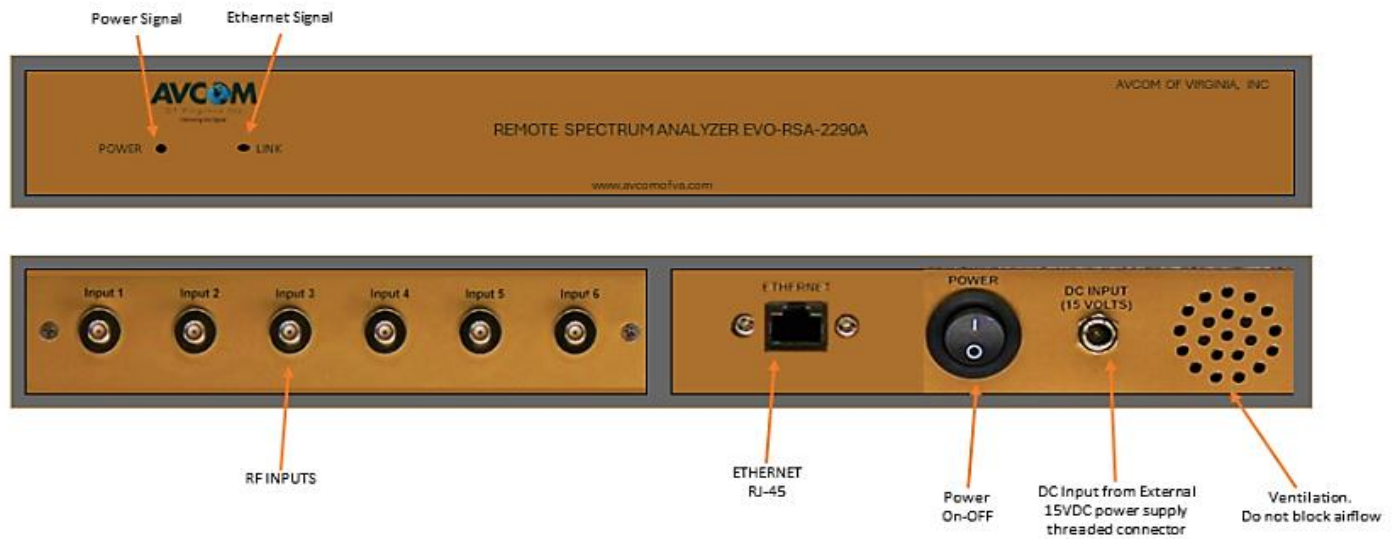
EVO-RSA-SERIES - MODEL CONFIGURATIONS - Technical Specifications

Product Family	Frequency (MHZ)	Connector (Ω)	Inputs	Product
EVO-RSA	900-2200	SMA (50 Ω)	2	EVO-RSA-2290A-2S
			4	EVO-RSA-2290A-4S
			6	EVO-RSA-2290A-6S
			8	EVO-RSA-2290A-8S
			10	EVO-RSA-2290A-10S
			12	EVO-RSA-2290A-12S
		BNC (50 Ω)	2	EVO-RSA-2290A-2B
			4	EVO-RSA-2290A-4B
			6	EVO-RSA-2290A-6B
			8	EVO-RSA-2290A-8B
		F (75 Ω)	2	EVO-RSA-2290A-2F
			4	EVO-RSA-2290A-4F
			6	EVO-RSA-2290A-6F
			8	EVO-RSA-2290A-8F
		N (50 Ω)	2	EVO-RSA-2290A-2N
			4	EVO-RSA-2290A-4N
			6	EVO-RSA-2290A-6N
		EVO-RSA	400-3000	SMA (50 Ω)
4	EVO-RSA-3040A-4S			
6	EVO-RSA-3040A-6S			
8	EVO-RSA-3040A-8S			
10	EVO-RSA-3040A-10S			
12	EVO-RSA-3040A-12S			
BNC (50 Ω)	2			EVO-RSA-3040A-2B
	4			EVO-RSA-3040A-4B
	6			EVO-RSA-3040A-6B
	8			EVO-RSA-3040A-8B
F (75 Ω)	2			EVO-RSA-3040A-2F
	4			EVO-RSA-3040A-4F
	6			EVO-RSA-3040A-6F
	8			EVO-RSA-3040A-8F
N (50 Ω)	2			EVO-RSA-3040A-2N
	4			EVO-RSA-3040A-4N
	6			EVO-RSA-3040A-6N

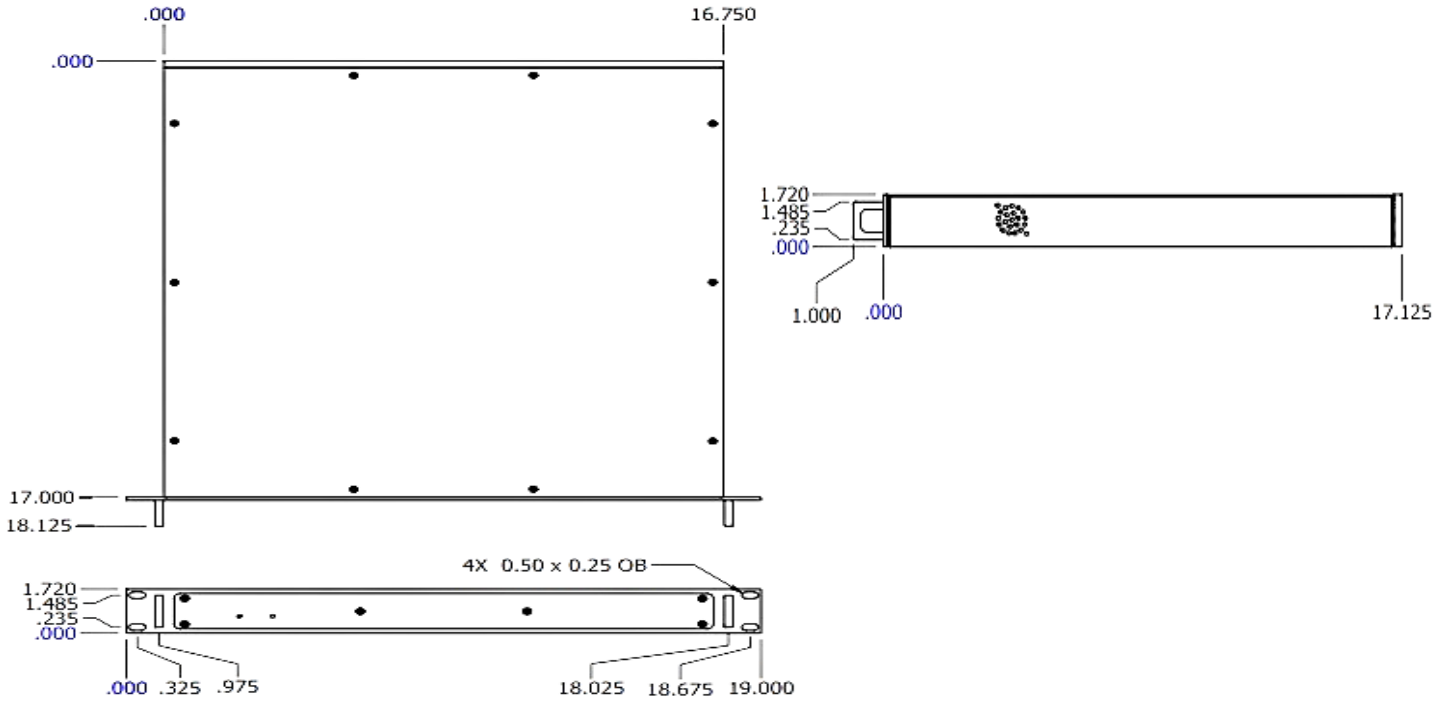
EVO-RSA-SERIES - MODEL CONFIGURATIONS - Technical Specifications



EXAMPLE MODEL CONFIGURATION



EVO-RSA-SERIES - Technical Specifications



ACCESSORIES INCLUDED WITH ANALYZER: Universal AC adaptor (100 to 240Vac)
AC cord with IEC Type 1, EVO-GUI software for PC, and Ethernet cables

Production Release. Specifications subject to change. ©2024 Avcom of Virginia, Inc. 090924