

Depolarizer LHC & RHC Ku-Band

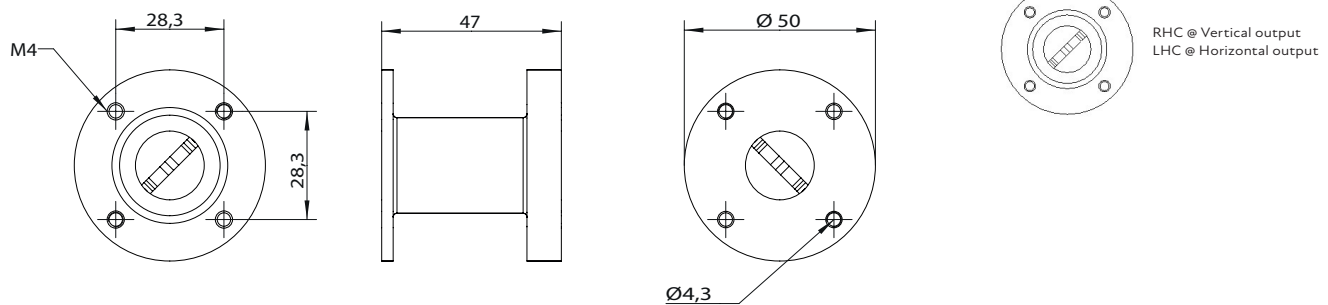
Swedish Microwave Partnr 230250



Description

Depolarizer converts circular polarizations LHC & RHC (Left Hand Circular & Right Hand Circular) to linear polarizations.

Matches SMW OMT, SMW Twin and SMW Quattro. Use SMW Depolarizer + OMT Ku + LNB (WR75) + Waveguide cover (horizontal) to receive one circular polarization only.



Technical specifications

MODEL:	Depolarizer LHC & RHC Ku-Band
Polarization	Circular LHC & RHC together with SMW Twin/OMT
Frequency Range	10.70 - 12.75 GHz
VSWR	1.25:1 typ.
Transmission Loss	0.1 dB typ.
Cross Polarization Rejection	20 dB typ.
Waveguide	C120 (circular waveguide 18 mm)
Material	Aluminium (black anodized)
Temperature Range	Storage and operating: - 40° to + 80° C
Weight	90 g
Dimensions	L = 47 mm, Ø 50 mm, for drawing, see www.smw.se

