



LNB C-BAND EXT. REF. 3000XI



TYPICAL SPECIFICATIONS

Noise temperature	25 K to 35 K depending on model number
L.O. stability	Phase Locked to External Reference
Phase noise (SSB)	-73 dBc/Hz at 1 kHz -83 dBc/Hz at 10 kHz -95 dBc/Hz at 100 kHz
Input VSWR	2.2 : 1
Output VSWR	2.2 : 1

Conversion gain	60 dB
Output P1dB	5 dBm
Power requirements	±12 to ±24 V supplied through center conductor of IF cable
Current drain	300 mA
Input Waveguide	CPR229G
Dimensions	180 (L) x 100 (W) x 70 (H) mm (7.1 x 4.0 x 2.8 in)
Weight	425g / 15 oz
Ext. Ref. Frequency	10 MHz (sine-wave) -10 to 0 dBm
Temperature Range	-40°C to +60°C

FREQUENCY BANDS AVAILABLE

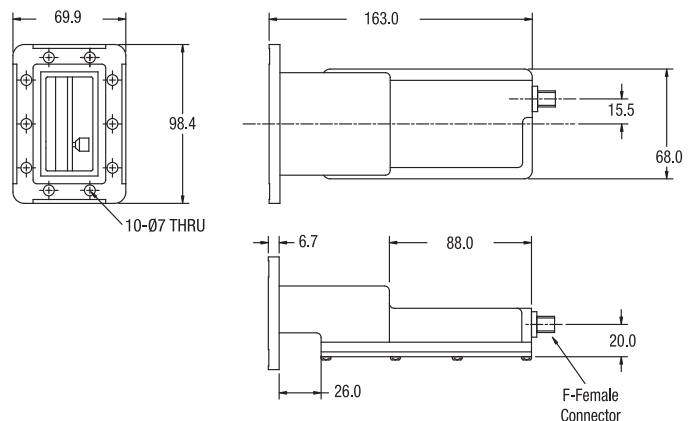
Input frequency (GHz)	4.5 to 4.8
L.O. frequency (GHz)	5.76
Output frequency (MHz)	960 to 1260

HOW TO ORDER

3025XIN

CONNECTOR	F - 75 Ohm N - 50 Ohm
EXTERNAL REFERENCE	
NOISE TEMPERATURE	25 - 25 K 30 - 30 K
LNB SERIES #	

MECHANICAL DIAGRAM



Click below models to place online order