



LNB C-BAND DIGITAL DRO 8000I



TYPICAL SPECIFICATIONS

Noise temperature	20K to 30K depending on model number
L.O. stability (over temperature excl offset)	±250 kHz to ±500 kHz depending on model number
Phase noise (SSB)	-65 dBc/Hz at 1kHz -80 dBc/Hz at 10kHz -95 dBc/Hz at 100kHz
Input VSWR	2.0 : 1
Output VSWR	2.2 : 1

Conversion gain	64 dB
Output P1dB	8 dBm
Power requirements	+15 to +24 V supplied through center conductor of IF cable
Current drain	130 mA
Input Waveguide	CPR 229G
Dimensions	180 (L) x 100 (W) x 70 (H) mm (7.1 x 4.0 x 2.8 in)
Weight	425 g / 15 oz
Temperature Range	-40°C to +60°C

FREQUENCY BANDS AVAILABLE

Typical service	8000I
Input frequency (GHz)	4.50 to 4.80
L.O. frequency (GHz)	5.95
Output frequency (MHz)	1150 to 1450

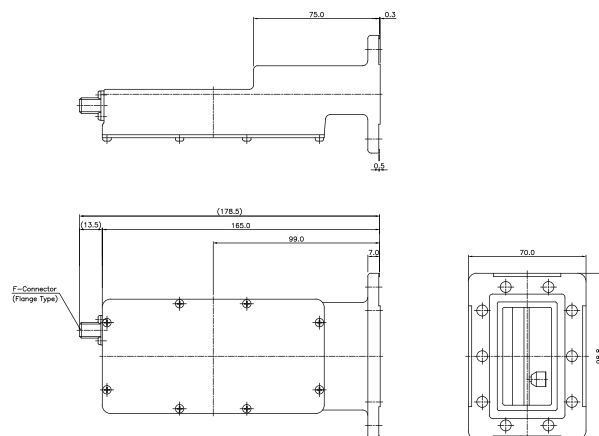
HOW TO ORDER

8520IF

CONNECTOR	F - 75 Ohm N - 50 Ohm
FREQUENCY	4.5 - 4.8 GHz
NOISE TEMPERATURE	20 - 20K 25 - 25K 30 - 30K
L.O. STABILITY	5 - ±500 kHz
LNB SERIES #	

*Available for 8000 (3.4 - 4.2 GHz Freq.) only

MECHANICAL DIAGRAM



Click below models to place online order

