



2007XTAF

2000 Triple-Band Ku-Band PLL LNB (0.7 dB)

Frequency: A: 10.95 - 11.70 GHz | 11.70 - 12.20 GHz |
12.20 - 12.75 GHz

L.O. Stability: External Reference

Output Connector: F: 75 Ohm



KEY SPECIFICATIONS

Band	Ku-Band
Input Frequency Band 1	10.95 - 11.70 GHz
Input Frequency Band 2	11.70 - 12.20 GHz
Input Frequency Band 3	12.20 - 12.75 GHz
LO Frequency 1	10.00 GHz
LO Frequency 2	10.75 GHz
LO Frequency 3	11.25 GHz
LO Stability	Ext Ref
LO Type	PLL
Noise Figure Max	0.8 dB
Noise Figure Typ	0.7 dB
Number Of Onboard Los	Triple-Band
Output Frequency Band 1	950 - 1700 MHz
Output Frequency Band 2	950 - 1450 MHz
Output Frequency Band 3	950 - 1500 MHz
Tone Frequency	22 kHz \pm 4 kHz

RF SPECIFICATIONS

Control Signal 1	13V / No Tone
Control Signal 2	13V / 22kHz Tone
Control Signal 3	18V / No Tone
Conversion Gain Max	65 dB
Conversion Gain Min	55 dB



Conversion Gain Typ	60 dB
Gain Flatness (over Full Band)	≤ 6 dB p-p
Input VSWR	2.3 : 1 max.
Output P1db	+ 5 dBm min.
Output VSWR	2.2 : 1 max.
Phase Noise 0.1khz Offset Max	Depends on External Reference
Phase Noise 1khz Offset Max	Depends on External Reference
Phase Noise 10khz Offset Max	Depends on External Reference
Phase Noise 100khz Offset Max	Depends on External Reference

ELECTRICAL SPECIFICATIONS

Current Consumption	350 mA max
Power Requirements	+12 to +24V DC

INTERFACE SPECIFICATIONS

IF Connector	F-Connector
RF Input Connector	WR-75 waveguide grooved

ENVIRONMENTAL SPECIFICATIONS

Humidity	0 - 95%
IP Rating	IP 66
Temperature Operational	-40°C to +70°C
Temperature Storage	-50 to +80°C

PHYSICAL SPECIFICATIONS

Product Height	1.70 in
Product Length	4.46 in
Product Weight	0.255 kg
Product Width	1.72 in

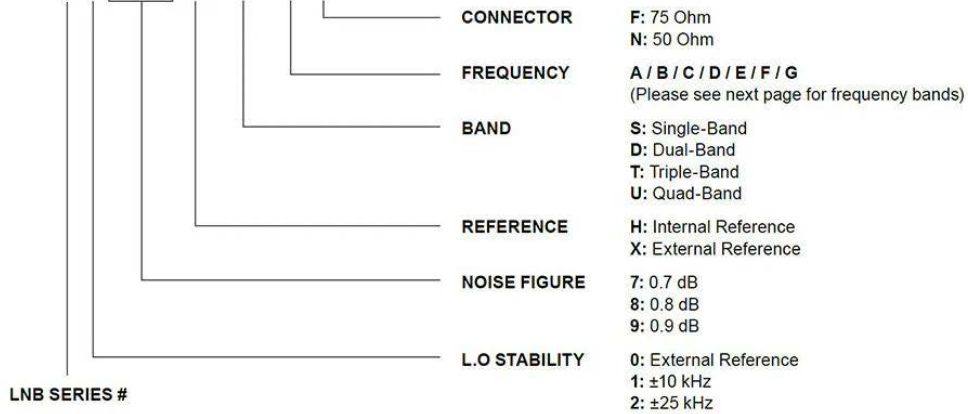
LOGISTICS SPECIFICATIONS

HS Code	Country of Origin	Ex Works	ECCN Number	Unit Package
8517690000	Made in Canada	Richmond, BC, Canada	EAR99	135 x 68 x 48 mm 0.335 kg

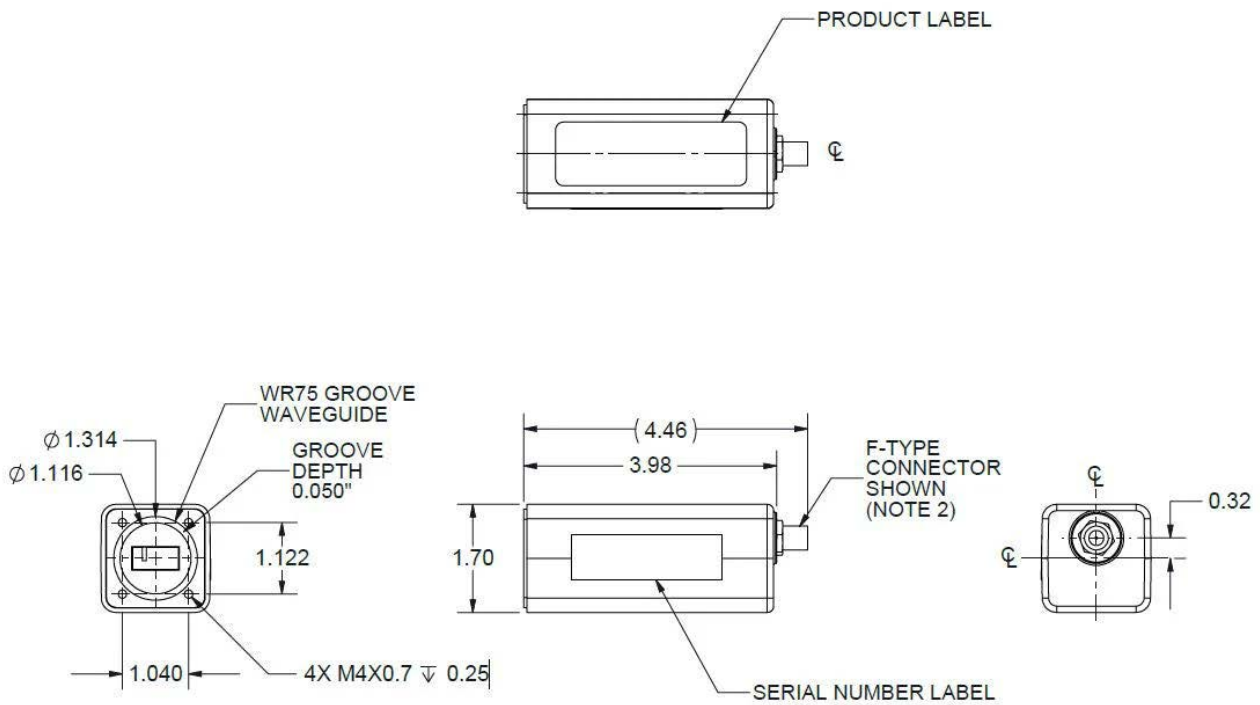
HOW TO ORDER



2108HSAF



MECHANICAL DIAGRAMS





FREQUENCY BANDS

Single Band					Dual Band						
Band	RF freq (GHz)	L.O freq (GHz)	Output freq		Band	RF freq (GHz)	L.O freq (GHz)	Output freq	Voltage/Tone		
A	11.7 - 12.20	10.75	950 - 1450 MHz		A	Band 1	10.95 - 11.70	10	950 - 1700 MHz	13 V	
B	12.25 - 12.75	11.3	950 - 1450 MHz			Band 2	11.70 - 12.75	10.75	950 - 2000 MHz	18 V	
C	10.95 - 11.70	10	950 - 1700 MHz		B	Band 1	10.70 - 11.70	9.75	950 - 1950 MHz	13 V	
D	10.70-11.80	9.75	950 - 2050 MHz			Band 2	11.70 - 12.75	10.75	950 - 2000 MHz	18 V	
Triple Band					Quad Band						
Band	RF freq (GHz)	L.O freq (GHz)	Output freq	Voltage/Tone	Band	RF freq (GHz)	L.O freq (GHz)	Output freq	Voltage/Tone		
A	Band 1	10.95 - 11.70	10	950 - 1700 MHz	13 V	A	Band 1	10.70 - 11.20	9.75	950 - 1450 MHz	13 V
	Band 2	11.70 - 12.20	10.75	950 - 1450 MHz	13 V / 22 kHz		Band 2	11.20 - 11.70	10.25	950 - 1450 MHz	13 V / 22 kHz
	Band 3	12.20 - 12.75	11.25	950 - 1500 MHz	18 V		Band 3	11.70 - 12.25	10.75	950 - 1500 MHz	18 V
B	Band 1	10.95 - 11.70	10	950 - 1700 MHz	13 V		Band 4	12.25 - 12.75	11.3	950 - 1450 MHz	18 V / 22kHz
	Band 2	11.70 - 12.25	10.75	950 - 1500 MHz	13 V / 22 kHz	B	Band 1	10.70 - 10.95	9.75	950 - 1200 MHz	13 V
	Band 3	12.25 - 12.75	11.3	950 - 1450 MHz	18 V		Band 2	10.95 - 11.70	10	950 - 1700 MHz	13 V / 22 kHz
C	Band 1	10.70 - 11.70	9.75	950 - 1950 MHz	13 V		Band 3	11.70 - 12.25	10.75	950 - 1500 MHz	18 V
	Band 2	11.70 - 12.20	10.75	950 - 1450 MHz	13 V / 22 kHz		Band 4	12.25 - 12.75	11.3	950 - 1450 MHz	18 V / 22kHz
	Band 3	12.20 - 12.75	11.25	950 - 1500 MHz	18 V	C	Band 1	10.70 - 11.20	9.75	950 - 1450 MHz	13 V
D	Band 1	10.70 - 11.70	9.75	950 - 1950 MHz	13 V		Band 2	11.20 - 11.70	10.25	950 - 1450 MHz	13 V / 22 kHz
	Band 2	11.70 - 12.25	10.75	950-1500 MHz	13 V / 22 kHz		Band 3	11.70 - 12.20	10.75	950 - 1450 MHz	18 V
	Band 3	12.25 - 12.75	11.3	950-1450 MHz	18 V		Band 4	12.20 - 12.75	11.25	950 - 1500 MHz	18 V / 22kHz
E	Band 1	10.95 - 11.70	10	950 - 1700 MHz	13 V	D	Band 1	10.95 - 11.45	10	950 - 1450 MHz	13 V
	Band 2	11.55 - 12.25	10.6	950 - 1650 MHz	13 V / 22 kHz		Band 2	11.45 - 11.95	10.5	950 - 1450 MHz	13 V / 22 kHz
	Band 3	12.20 - 12.70	11.25	950 - 1450 MHz	18 V		Band 3	11.70 - 12.20	10.75	950 - 1450 MHz	18 V
F	Band 1	10.70 - 11.80	9.75	950 - 2050 MHz	13 V		Band 4	12.20 - 12.75	11.25	950 - 1500 MHz	18 V / 22kHz
	Band 2	10.95 - 12.10	10	950 - 2100 MHz	13 V / 22 kHz	A	Band 1	10.95 - 11.45	10	950 - 1450 MHz	13 V
	Band 3	11.70 - 12.75	10.75	950 - 2000 MHz	18 V		Band 2	11.45 - 11.95	10.5	950 - 1450 MHz	13 V / 22 kHz
G	Band 1	10.70 - 11.70	9.75	950 - 1950 MHz	13 V		Band 3	11.70 - 12.20	10.75	950 - 1450 MHz	18 V
	Band 2	11.70 - 12.70	10.75	950 - 1950 MHz	13 V / 22 kHz		Band 4	12.20 - 12.75	11.25	950 - 1500 MHz	18 V / 22kHz
	Band 3	12.25 - 12.75	11.3	950 - 1450 MHz	18 V						