



## 3030XN

### 3000X C-Band Single Band PLL LNB

Noise Figure: 30 K

Output Connector: N: 50 Ohm



## KEY SPECIFICATIONS

Band	C-Band
External Ref Freq	10 MHz (sine-wave), - 10 to 0 dBm
Input Frequency Band 1	3.40 - 4.20 GHz
LO Frequency 1	5.15 GHz
LO Stability	Ext Ref
LO Type	EXT
Noise Figure Max	32K
Noise Figure Typ	30K
Number Of Onboard Los	Single-Band
Output Frequency Band 1	950 - 1750 MHz

## RF SPECIFICATIONS

Conversion Gain Max	70 dB
Conversion Gain Min	55 dB
Conversion Gain Typ	65 dB
Gain Flatness (over Full Band)	≤ 6 dB p-p max.
Input VSWR	2.2 : 1 max.
Output P1db	+ 9 dBm min.
Output VSWR	2.2 : 1 max.
Phase Noise 1khz Offset Max	Depends on External Reference
Phase Noise 10khz Offset Max	Depends on External Reference
Phase Noise 100khz Offset Max	Depends on External Reference

## ELECTRICAL SPECIFICATIONS

Current Consumption	250 mA max.
Power Requirements	+12 to +24V DC

## INTERFACE SPECIFICATIONS



IF Connector	N-Connector
RF Input Connector	CPR 229G waveguide grooved

## M and C SPECIFICATIONS

Led Indicators	None
----------------	------

## ENVIRONMENTAL SPECIFICATIONS

IP Rating	IP 66
Temperature Operational	-40°C to +60°C
Temperature Storage	-50 to +70°C

## PHYSICAL SPECIFICATIONS

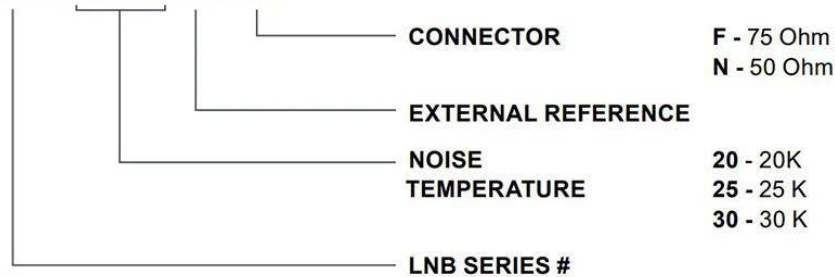
Product Height	72 mm
Product Length	160 mm
Product Weight	0.5 kg
Product Width	100 mm

## LOGISTICS SPECIFICATIONS

HS Code	Country of Origin	Ex Works	ECCN Number	Unit Package
8517690000	Made in Canada	Richmond, BC, Canada	EAR99	190 x 115 x 80 mm   0.68 kg

## HOW TO ORDER

# 3025XN

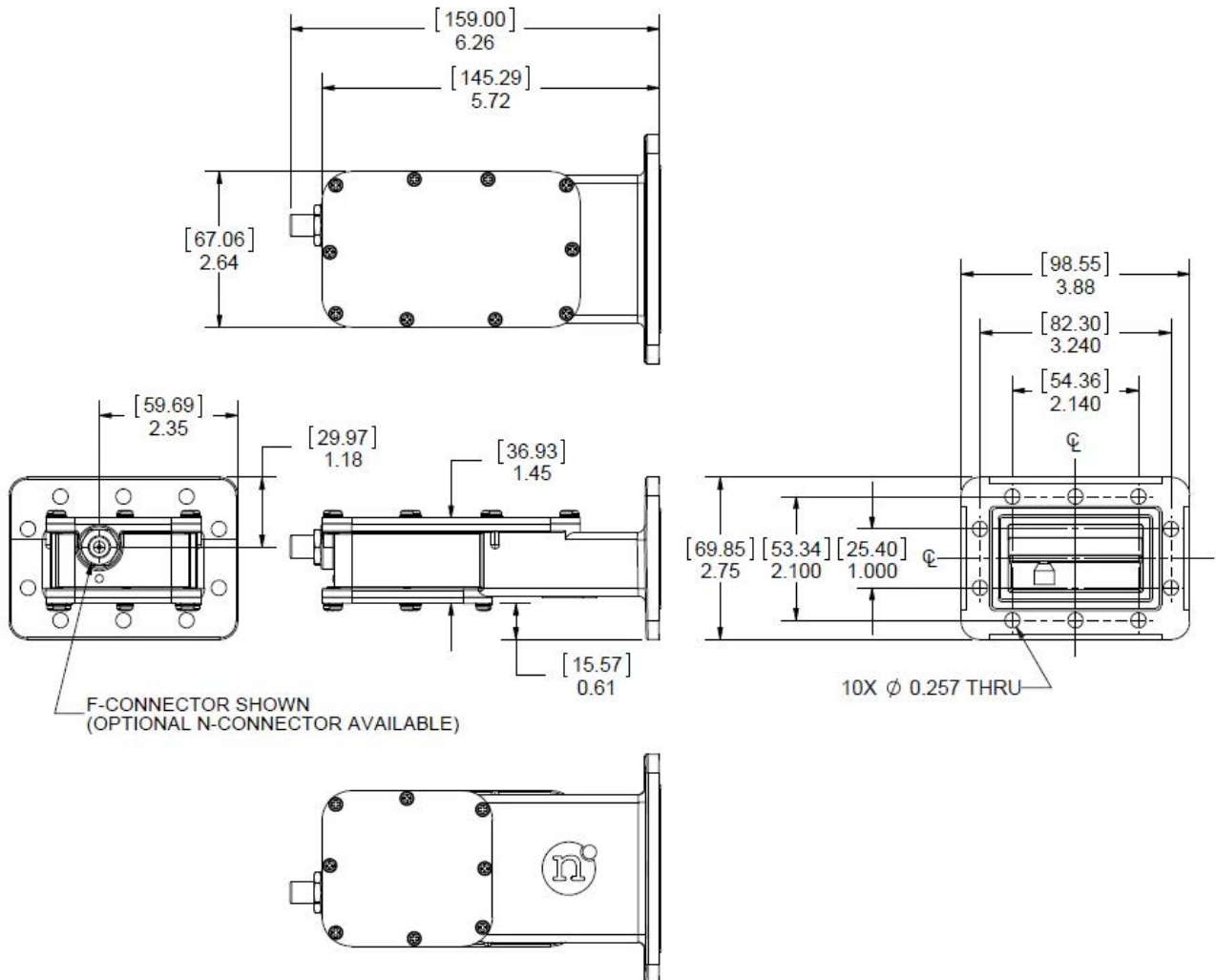


## MECHANICAL DIAGRAMS



Norsat  
International Inc.

Innovative Communication Solutions



Norsat authorized distributor

**Esatcom Inc.**  
3628 Francis Lewis Blvd.  
Flushing, NY 11358  
[www.esatcom.com](http://www.esatcom.com)  
Tel: 718.799.0084  
Email: [sales@esatcom.com](mailto:sales@esatcom.com)