

SPECIFICATIONS

FREQUENCY BAND RX: 3.625-4.200GHz
TX: 5.850-6.425 GHz

INSERTION LOSS RX: 0.15 dB MAX
TX: 0.10 dB MAX

VSWR RX: 1.20:1 dB MAX
TX: 1.20:1 dB MAX

ISOLATION TX/RX: 70 dB MIN
RX/TX: 35 dB MIN

CROSSPOL : 35 dB MIN

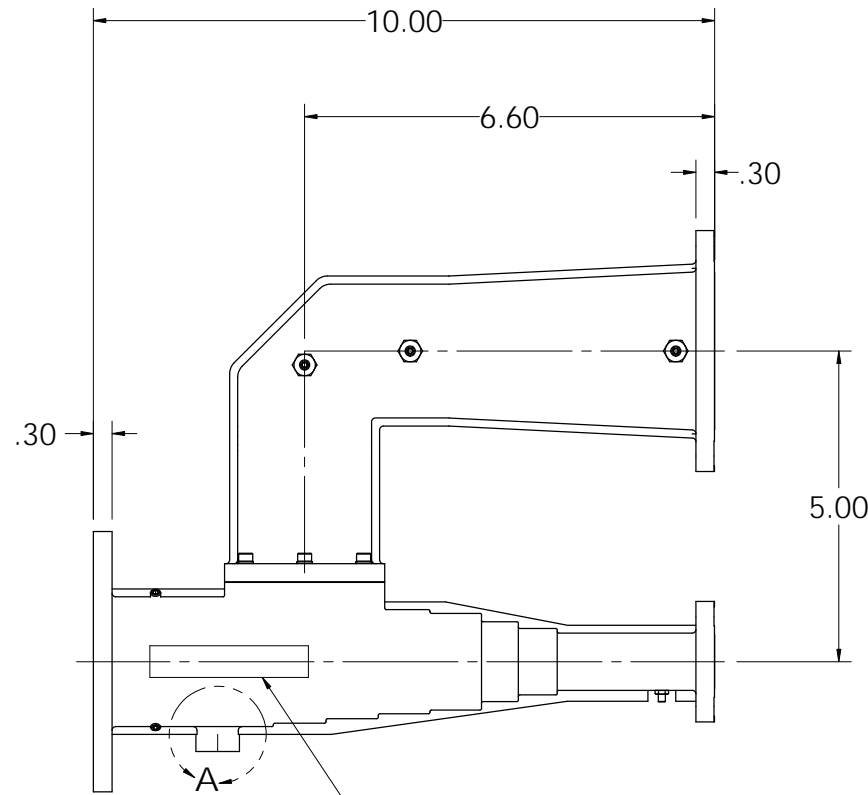
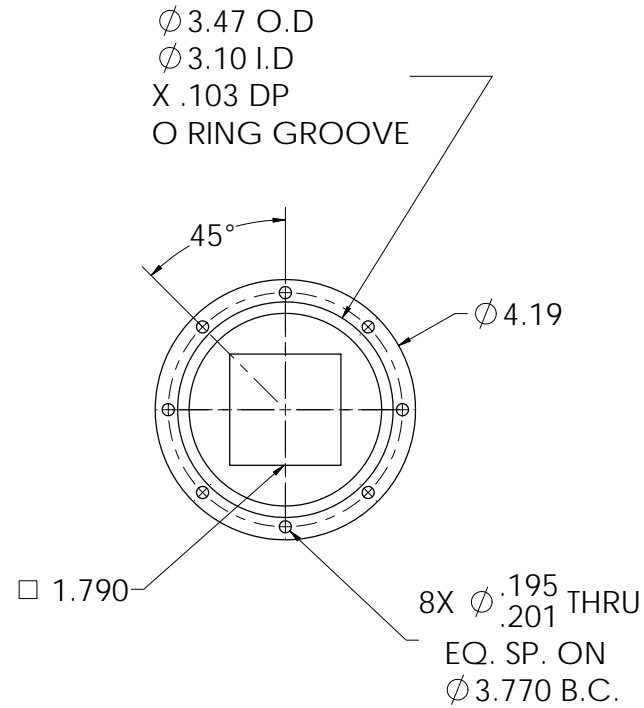
POWER HANDLING : 5 KW CW

PRESSURIZATION : SEALED TO 2 PSIG

FINISH: INTERIOR
AND FLANGE FACES: CHEM FILMED PER MIL-C-554C.
TYPE II. CLASS 1A

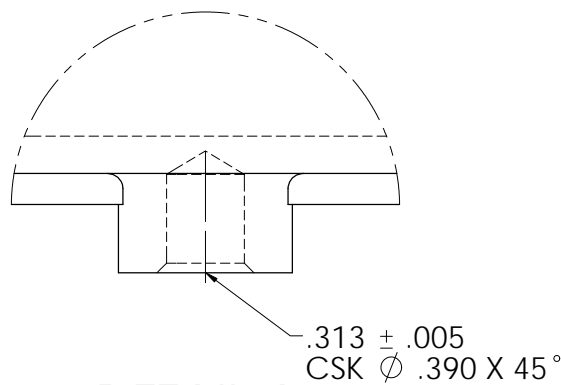
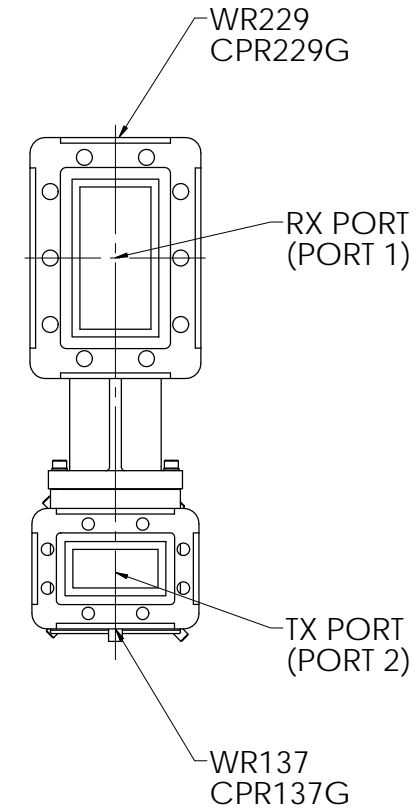
EXTERIOR: WHITE PAINT. COLOR
NO. 17875 PER FED-STD-585

REVISIONS			
REV	DESCRIPTION	DATE	APPROVED
P	SEE DR No 10098	04-13-11	J. Quicho
R	SEE EC No 13129		
S	SEE CN No 13447	07-07-15	J. MITCHELL



GD SATCOM
50478 XX-XX
107090-3

YEAR-WEEK



DETAIL A
SCALE 2 : 1

DO NOT SCALE DRAWINGS		APPROVALS		DATE	GENERAL DYNAMICS PROPRIETARY	
UNLESS OTHERWISE SPECIFIED, INTERPRET DIMENSIONING & TOLERANCING PER ANSI/ASME Y14.5M-2009. DIMENSIONS ARE IN INCHES. DIMENSIONS SHOWN IN () ARE FOR REFERENCE ONLY.		DRAWN: A. MORA		08-31-88	GENERAL DYNAMICS SATCOM Technologies 3111 Fujita Street, Torrance CA 90505, (310) 539-6704	
TOLERANCES:		CHECKED: M.S.		08-31-88		
THREE PLACE DECIMAL $\pm .002$ OR BETTER		RF DESIGN: J.L.A.		08-31-88		
SURFACE		MFG:			TITLE:	
TWO PLACE DECIMAL $\pm .01$		QA:			C-BAND, 2-PORT RX/TX, X-POL	
FOUR PLACE DECIMAL $\pm .0010$		ENG MGR:				
ANGLES $\pm 0^\circ 30'$		PROJECT:			SIZE: C CAGE CODE: 50478 DWG No. 107090-3 REV S SCALE: 1:2 WEIGHT: 3#3 LB SHEET 1 of 2	
THIRD ANGLE PROJECTION	EAR CONTROLLED	MATERIAL				
Export or re-export subject to 15 CFR 700 - 799						