

SPECIFICATIONS

REVISIONS

REV	DESCRIPTION	EFFECTIVE DATE	APPROVED
D	SEE DR No 10624		

OPERATING BAND:
 PORT 2-COMMON: 5.925-6.425GHZ
 COMMON-PORT 1: 3.625-4.2 GHZ

PRESSURIZATION: SEALED TO 5 PSIG

LOSS:
 PORT 2-COMMON: 0.15 dB MAX
 COMMON-PORT 1: 0.15 dB MAX

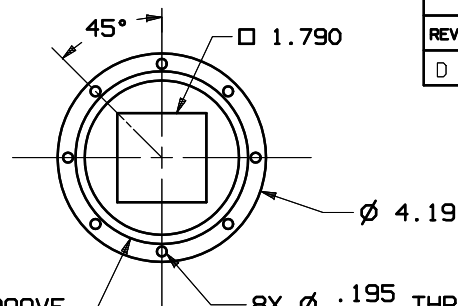
FINISH
 FLANGE FACES: CAD PLATED PER
 QQ-P-416, TYPE II
 CLASS 2

VSWR: PORT 2: 1.3:1
 PORT 1: 1.3:1

EXTERIOR: SEE NOTE 1

ISOLATION
 TX TO RX: 85 dB MIN
 RX TO TX: 40 dB MIN

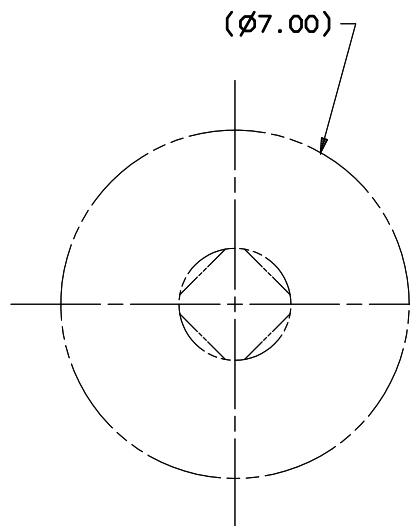
POLARIZATION
 PURITY : 35 dB MIN



O-RING GROOVE
 ϕ 3.47 O.D. X
 ϕ 3.10 I.D. X
 .103 DP

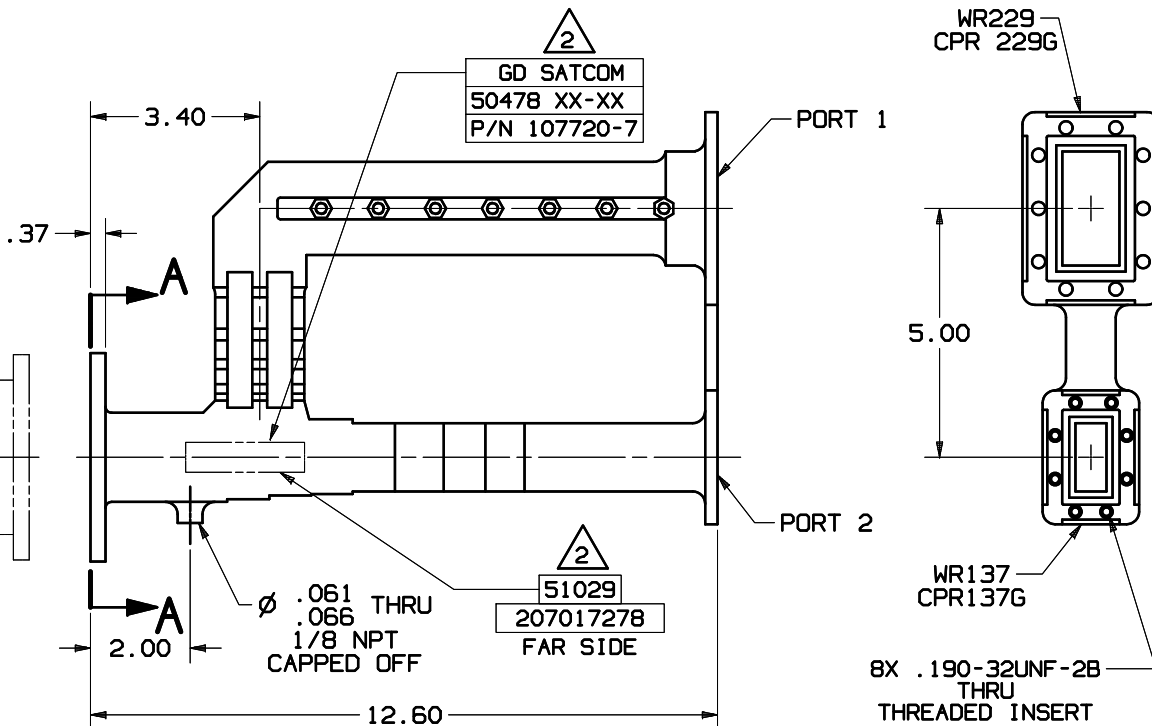
8X ϕ .195 THRU
 EQ. SP. ON A
 ϕ 3.770 B.C.

VIEW A-A



110299-1
 HORN

SEALED
 RADOME
 COVER



2 IDENTIFICATION: THERMAL TRANSFER SELF-ADHESIVE MYLAR LABELS

1 NOMENCLATURE FOR EXTERIOR FINISH OPTIONS:

107720-7B	BLACK	PAINT, COLOR No. 37038 PER FED-STD-595
107720-7W	WHITE	PAINT, COLOR No. 17875 PER FED-STD-595
107720-7G	GREEN	PAINT, COLOR No. 34096 PER FED-STD-595
107720-7S	SANDSTONE	PAINT, COLOR No. 33510 PER FED-STD-595

NOTES: UNLESS OTHERWISE SPECIFIED

UNLESS OTHERWISE SPECIFIED		SIGNATURES	DATE	GENERAL DYNAMICS PROPRIETARY	
DIMENSIONS ARE IN INCHES		DRAWN: L. TOVALIN	03-27-95	GENERAL DYNAMICS SATCOM Technologies 3111 Fujita St., Torrance, CA 90505, (310) 539-6704 C-BAND, 2-PORT RX/TX, CO-POL	
TOLERANCES-		CHECKED: H. SPIELEDER	03-27-95		
SURFACE .XX ±.01		ENGRG:			
.XXX ±.002		MFG:			
32 ✓ ANGLES±				107720-7	
MATERIAL		EAR CONTROLLED: Export or re-export subject to 15 CFR 700-799.			
FINISH					
SIZE	FSCM NO.	DWG NO.	REV		
C	50478	107720-7	D		
SCALE: 1/2			SHEET 1 of 1		