

# SPECIFICATIONS

**FREQUENCY BAND** RX: 3.625-4.200 GHz  
TX: 5.850-6.425 GHz

**INSERTION LOSS** RX: 0.15 dB MAX  
TX: 0.15 dB MAX

**VSWR** RX: 1.30:1 dB MAX  
TX: 1.30:1 dB MAX

**ISOLATION** TX/RX: 85 dB MIN  
RX/TX: 40 dB MIN

**CROSSPOL** : 35 dB MIN

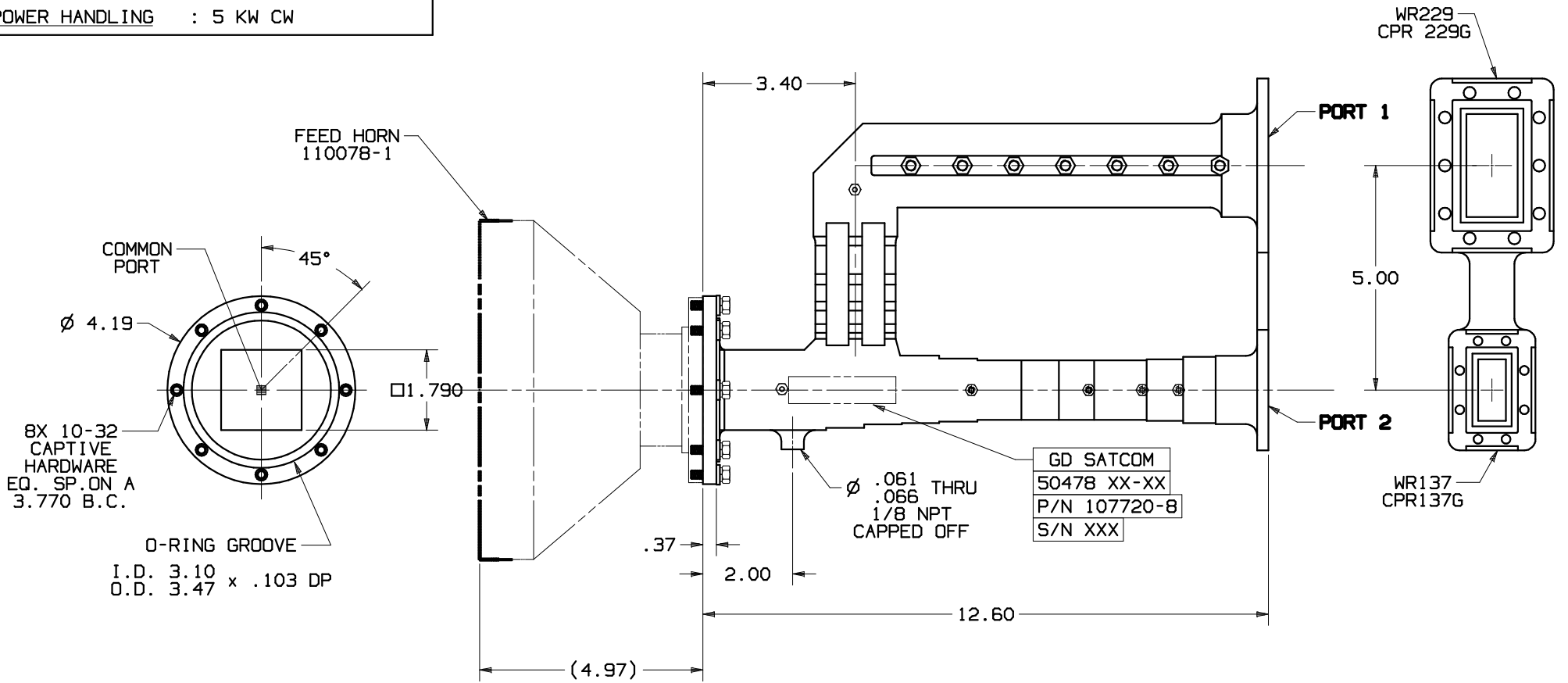
**POWER HANDLING** : 5 KW CW

**PRESSURIZATION:** SEALED TO 2 PSIG

**FINISH:**  
FLANGE FACES: CAD PLATED PER QQ-P-416,  
TYPE II, CLASS 2  
EXTERIOR: NONE

## REVISIONS

REV	DESCRIPTION	DATE	APPROVED
G	DR 11544		



NOTES: UNLESS OTHERWISE SPECIFIED.

<b>UNLESS OTHERWISE SPECIFIED</b>		<b>APPROVALS</b>	<b>DATE</b>	<b>GENERAL DYNAMICS PROPRIETARY</b>	
INTERPRET DIMENSIONING & TOLERANCING PER ANSI Y14.5M-1982. DIMENSIONS ARE IN INCHES. DIMENSIONS SHOWN IN ( ) ARE FOR REFERENCE ONLY. TOLERANCES ARE:		DRAWN: H. Lim	08-27-99	<b>GENERAL DYNAMICS SATCOM Technologies</b> 3111 Fujita St., Torrance, CA 90505, (310) 539-6704	
SURFACE- TOLERANCES- 63 ✓ .XX ±.01 .XXX ±.002 .XXXX ±.0010 ANGLES ±0°30'		CHECKED: H. Spieleder	08-27-99		
MATERIAL: COPPER ALLOY		RF ENGR:		<b>C-BAND 2-PORT Rx/Tx: CO-POL</b>	
		ENGRG:			
		MFGG:		SIZE: C	FSCM No. 50478
		<b>EAR CONTROLLED:</b> Export or re-export subject to 15 CFR 700-799.		DWG No. 107720-8	REV G
				SCALE: 1:2	SHEET 1