

# SPECIFICATIONS

**FREQUENCY BAND** RX: 3.625-4.200 GHz  
TX: 5.850-6.425 GHz

**INSERTION LOSS** RX: 0.10 dB MAX  
TX: 0.20 dB MAX

**VSWR** RX: 1.30:1 dB MAX  
TX: 1.30:1 dB MAX

**ISOLATION** TX/RX: 70 dB MIN  
RX/TX: 70 dB MIN

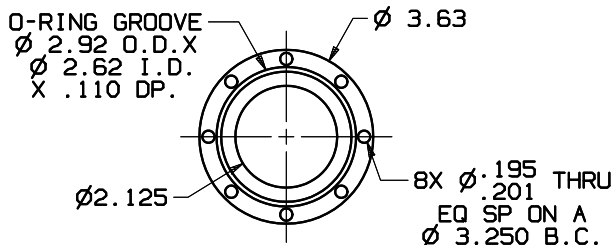
**CROSSPOL** : 35 dB MIN

**POWER HANDLING** : 500 W CW

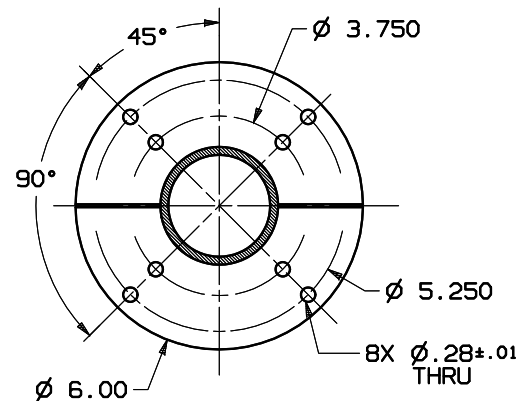
**PRESSURIZATION** : SEALED TO 0.5 PSIG  
WITH TYPE N CONNECTOR  
CAPPED OFF

**FINISH INTERIOR & FLANGE FACES:** CHROMATE CONVERSION COATED  
PER MIL-DTL-5541F, TYPE II,  
CLASS 1A  
**EXTERIOR:** WHITE PAINT, COLOR  
No. 17875 PER  
FED-STD-595

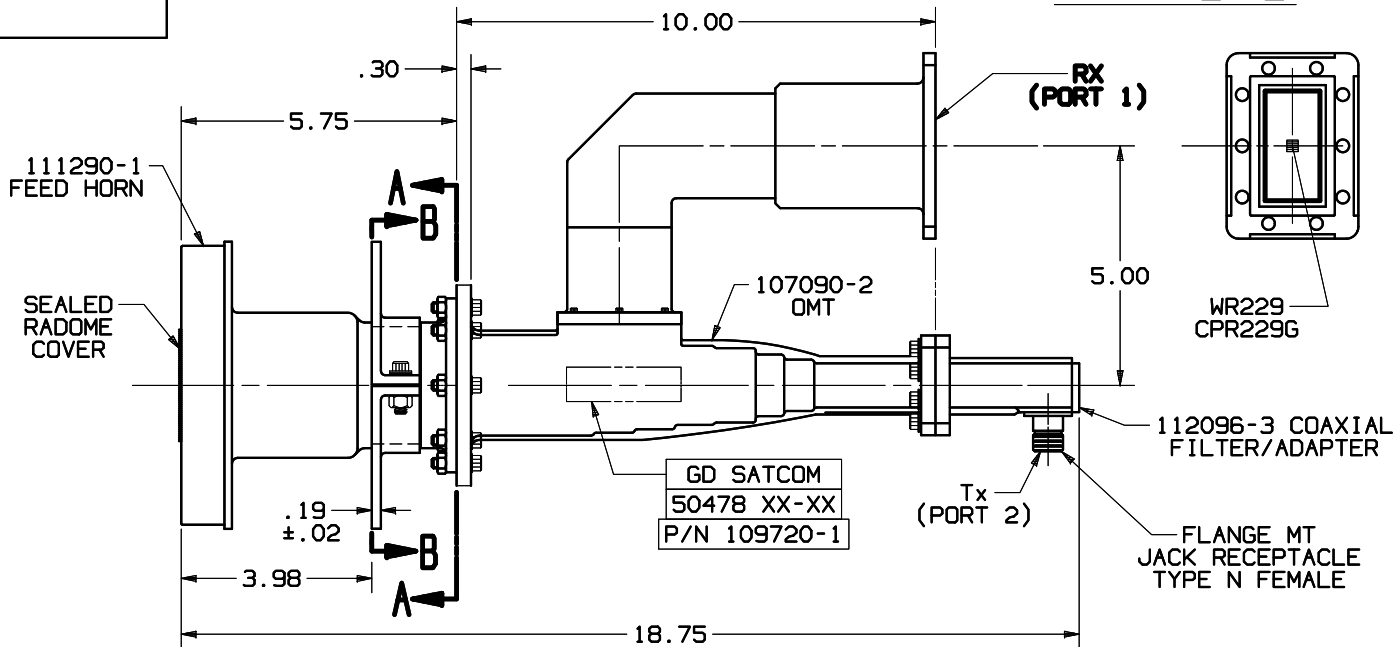
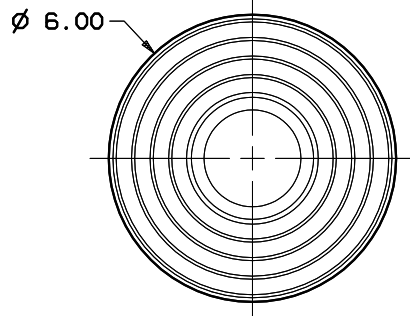
REVISIONS			
REV	DESCRIPTION	DATE	APPROVED
P	SEE DR No 11201		



**SECTION A-A**



**SECTION B-B**



UNLESS OTHERWISE SPECIFIED	APPROVALS	DATE	GENERAL DYNAMICS PROPRIETARY			
INTERPRET DIMENSIONING & TOLERANCING PER ANSI Y14.5M-1982. DIMENSIONS ARE IN INCHES. DIMENSIONS SHOWN IN ( ) ARE FOR REFERENCE ONLY. TOLERANCES ARE:  SURFACE- TOLERANCES- .XX ±.03 .XXX ±.003 .XXXX ± ANGLES ±0°30'	DRAWN: L. TOVALTN	12-26-91	<b>GENERAL DYNAMICS</b> <b>SATCOM Technologies</b> 3111 Fujita St., Torrance, CA 90505, (310) 539-6704  <b>C-BAND 2-PORT</b> <b>Rx/Tx FEED, TYPE N</b>			
	CHECKED: H. SPIELEDER	12-26-91			SIZE FSCM No. DWG No.	
	ENGRG:				C 50478	109720-1
	DATE:				SCALE: 1:2	REV P
MATERIAL: AL CASTING	<b>EAR CONTROLLED:</b> Export or re-export subject to 15 CFR 700-799.		SHEET	1		

NOTES: UNLESS OTHERWISE SPECIFIED.