

# SPECIFICATIONS

**FREQUENCY BAND** RX: 3.625-4.200 GHz  
TX: 5.850-6.425 GHz

**INSERTION LOSS** RX: 0.30 dB MAX  
TX: 0.20 dB MAX

**VSWR** RX: 1.30:1 dB MAX  
TX: 1.30:1 dB MAX

**ISOLATION** TX/RX: 60 dB MIN  
RX/TX: 60 dB MIN

**AXIAL RATIO** RX: 1.41 (3.0dB)  
TX: 1.30 (2.3dB)

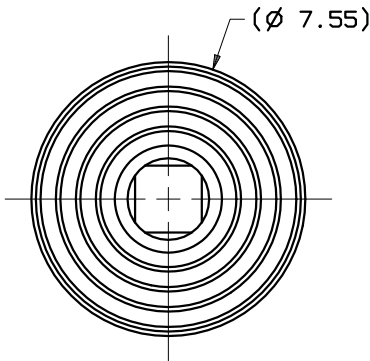
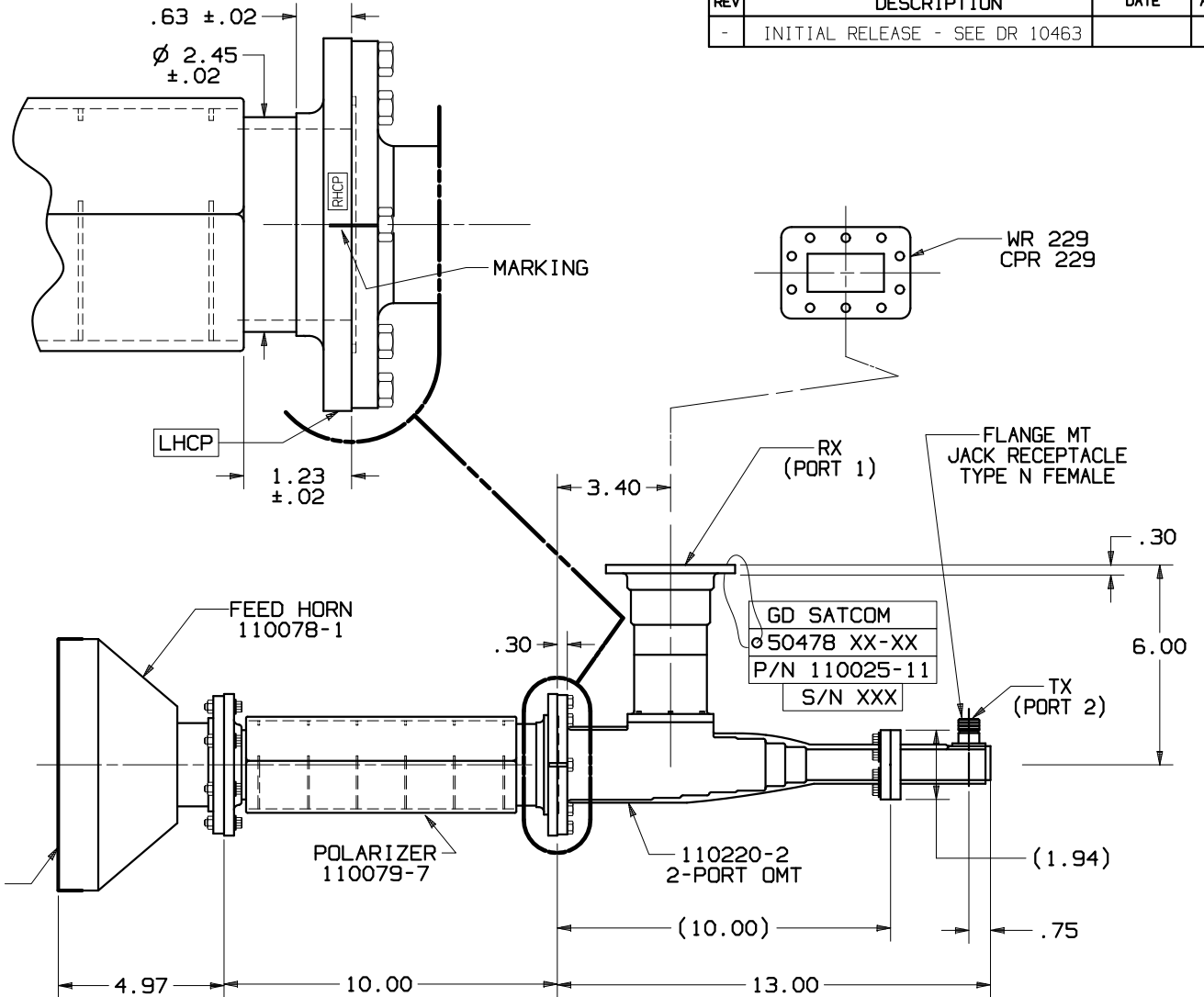
**POWER HANDLING** : 500 W CW

**PRESSURIZATION** : SEALED TO 0.5 PSIG  
WITH TYPE N CONNECTOR  
CAPPED OFF

**FINISH:** INTERIOR  
AND EXTERIOR: CHEM FILMED PER  
MIL-DTL-5541C,  
CLASS 1A

# REVISIONS

REV	DESCRIPTION	DATE	APPROVED
-	INITIAL RELEASE - SEE DR 10463		



SEALED  
RADOME  
COVER

FEED HORN  
110078-1

POLARIZER  
110079-7

110220-2  
2-PORT OMT

GD SATCOM  
50478 XX-XX  
P/N 110025-11  
S/N XXX

FLANGE MT  
JACK RECEPTACLE  
TYPE N FEMALE

RX  
(PORT 1)

TX  
(PORT 2)

NOTES: UNLESS OTHERWISE SPECIFIED.

UNLESS OTHERWISE SPECIFIED		SIGNATURES	DATE	GENERAL DYNAMICS PROPRIETARY	
INTERPRET DIMENSIONING & TOLERANCING PER ANSI Y14.5M-1982. DIMENSIONS ARE IN INCHES. DIMENSIONS SHOWN IN ( ) ARE FOR REFERENCE ONLY. TOLERANCES ARE:		DRAWN: L. TOVALIN	03-23-11	<b>GENERAL DYNAMICS</b> SATCOM Technologies 3111 Fujita St., Torrance, CA 90505, (310) 539-6704 <b>C-BAND 2-PORT                  RX/TX FEED, CP-1.3AX</b>	
SURFACE- TOLERANCES- 32 ✓ .XX ±.01 .XXX ±.002 .XXXX ±.0010 ANGLES ±0°30'		CHECKED:			
MATERIAL: ALUMINUM ALY 6061-T6		ENGRS:			
		MFG:			
		EAR CONTROLLED:		Export or re-export subject to 15 CFR 700-799.	
SIZE: C	FSCM No. 50478	DWG No. 110025-11	REV -	SHEET 1	