

# SPECIFICATIONS

**FREQUENCY BAND** RX: 3.400-4.200 GHz  
TX: 5.700-6.725 GHz

**INSERTION LOSS** RX: 0.20 dB MAX  
TX: 0.20 dB MAX

**VSWR** RX: 1.30:1 dB MAX  
TX: 1.30:1 dB MAX

**ISOLATION** TX/RX: 85 dB MIN  
RX/TX: 40 dB MIN

**CROSSPOL** : 30 dB MIN

**POWER HANDLING** : 5 KW CW

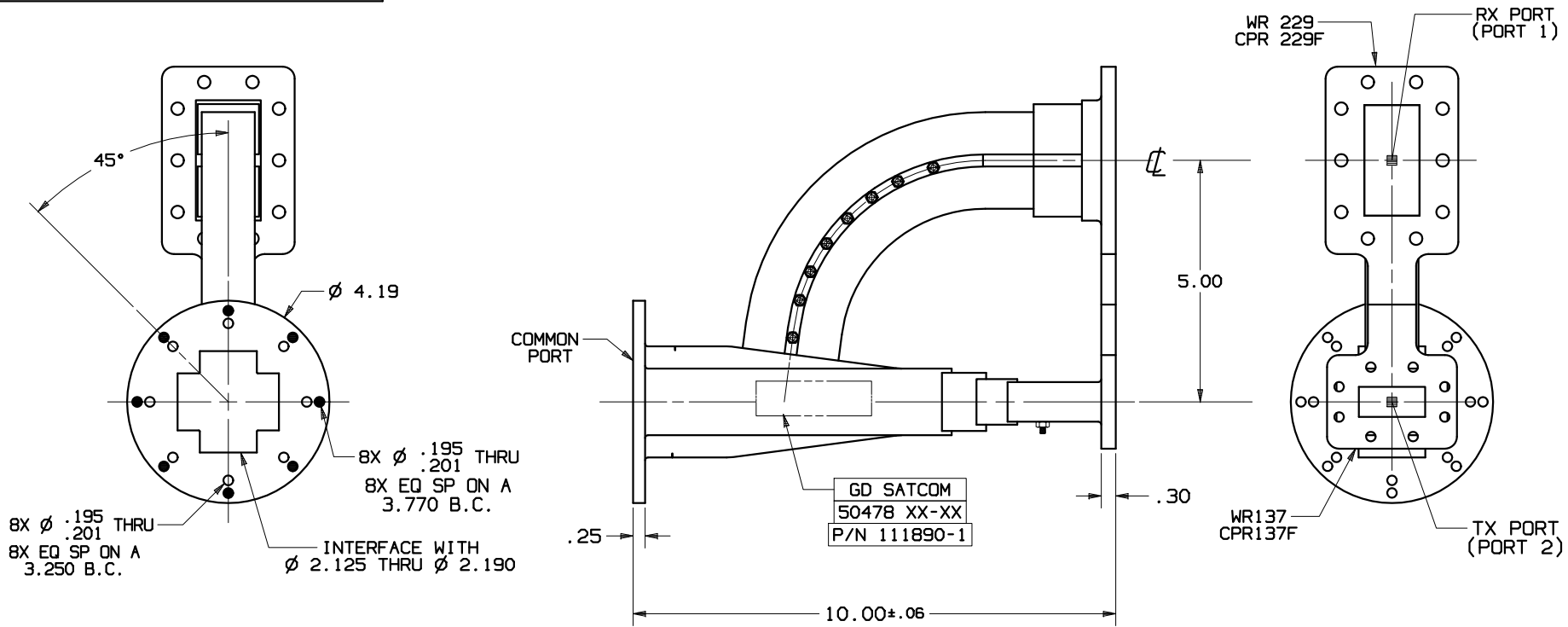
TESTED INTO LABORATORY LOAD  
WITH A VSWR OF 1.05 OR BETTER

**PRESSURIZATION** : SEALED TO 2 PSIG

**FINISH:** INTERIOR  
AND FLANGE FACES: CHEM FILMED PER MIL-C-5541C,  
CLASS 1A  
EXTERIOR: WHITE PAINT, COLOR  
NO. 17875 PER FED-STD-585

## REVISIONS

REV	DESCRIPTION	DATE	APPROVED
G	SEE REVISION SHT	12-21-05	H.S.

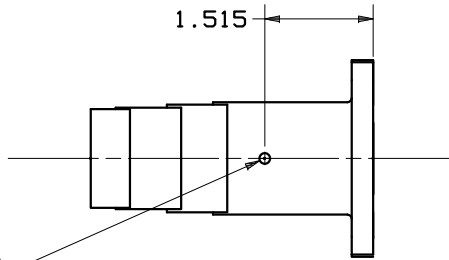
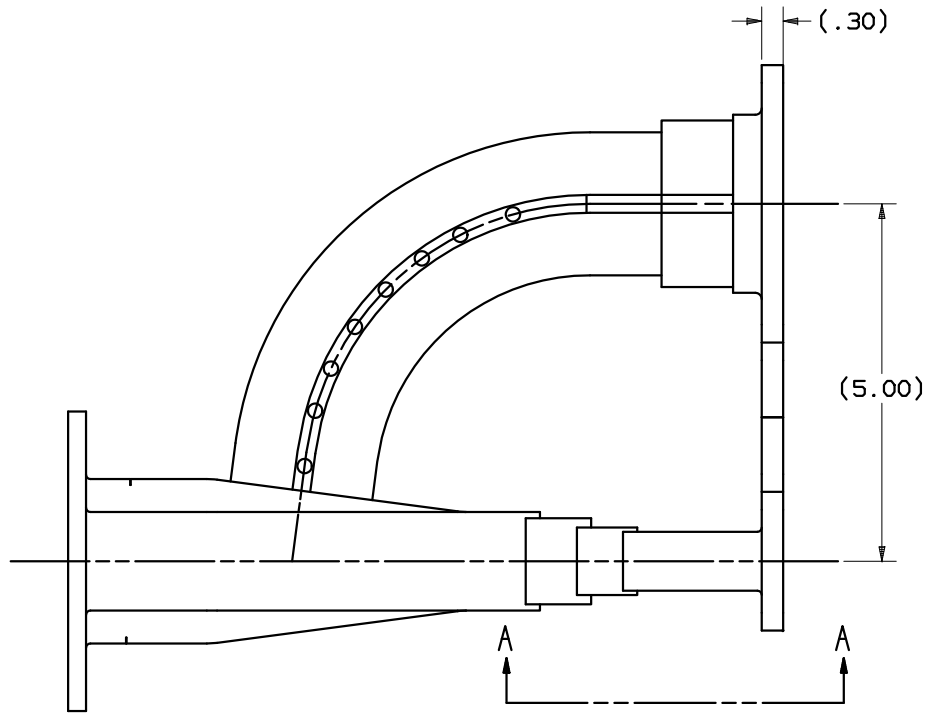


NOTES: UNLESS OTHERWISE SPECIFIED.

UNLESS OTHERWISE SPECIFIED		APPROVALS	DATE	GENERAL DYNAMICS PROPRIETARY	
INTERPRET DIMENSIONING & TOLERANCING PER ANSI Y14.5M-1982. DIMENSIONS ARE IN INCHES. DIMENSIONS SHOWN IN ( ) ARE FOR REFERENCE ONLY. TOLERANCES ARE:  SURFACE - TOLERANCES - .XX ±.03 .XXX ±.004 .XXXX ± ANGLES ±0°30'		DRAWN: L. TOVALIN	12-30-97	<b>GENERAL DYNAMICS</b> SATCOM Technologies 3111 Fujita St., Torrance, CA 90505, (310) 539-6704  <b>C-BAND 2-PORT Rx/Tx</b> <b>X-POL, 800 MHz</b>	
		CHECKED: H. SPIELEDER	01-12-99		
		ENGRG:			
		MFG:			
MATERIAL: CAST ALUMINUM		<b>EAR CONTROLLED:</b> Export or re-export subject to 15 CFR 700-799.		SIZE: C	FSCM No. 50478
				DWG No. 111890-1	REV G
		SCALE: 1:2		SHEET 1	

8 7 6 5 4 3 2 1

F  
E  
D  
C  
B  
A



4-40 SCREW  
DRILL & TAP

VIEW A-A

**MODIFIED**  
**(4-40 TUNING SCREW LOCATION)**

SIZE	FSCM No.	DWG No.	REV
C	50478	111890-1	G
SCALE: 1:1		SHEET 2	

8 7 6 5 4 3 2 1