

SPECIFICATIONS

OPERATING BAND RX: 3.40 - 4.200 GHz
TX: 5.70 - 6.750 GHz

LOSS RX: 0.20 dB MAX
TX: 0.20 dB MAX

VSWR RX: 1.30:1 dB MAX
TX: 1.30:1 dB MAX

ISOLATION TX-RX: 85 dB MIN
RX-TX: 40 dB MIN

CROSS POL : 35 dB MIN

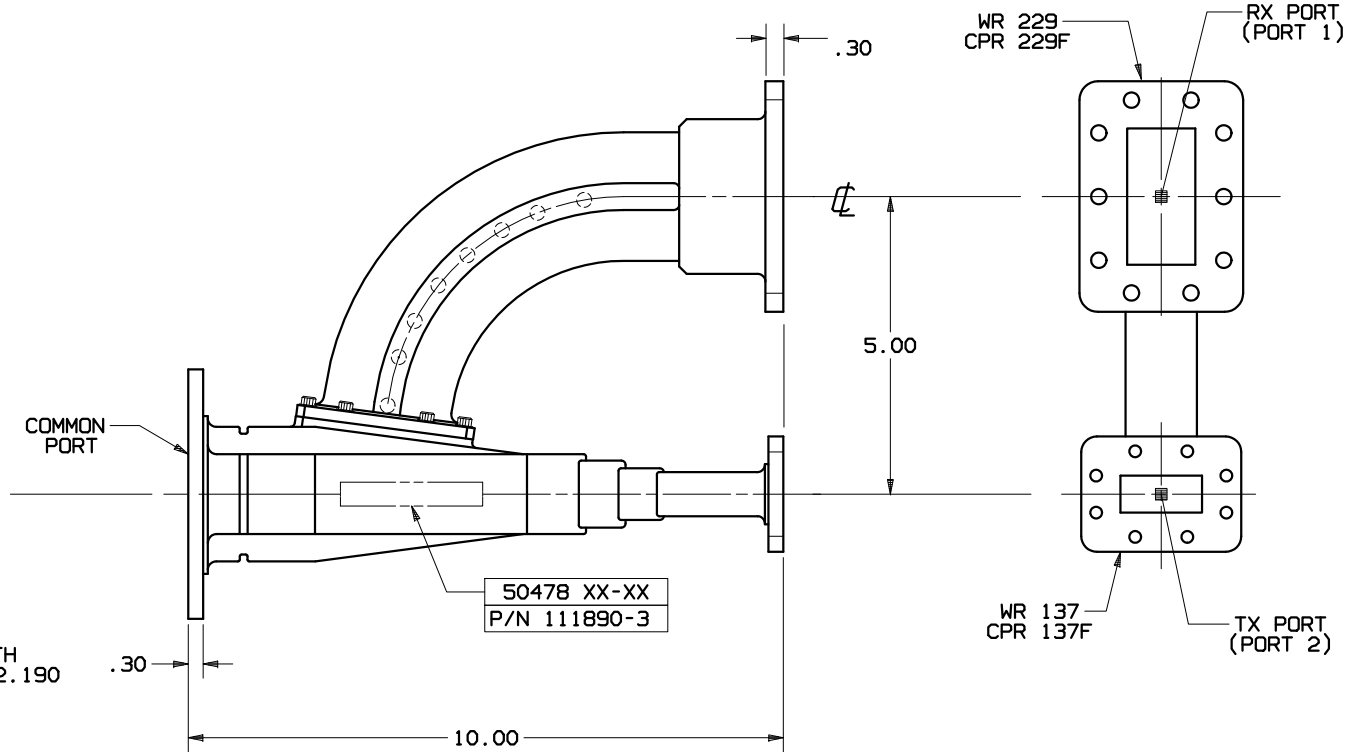
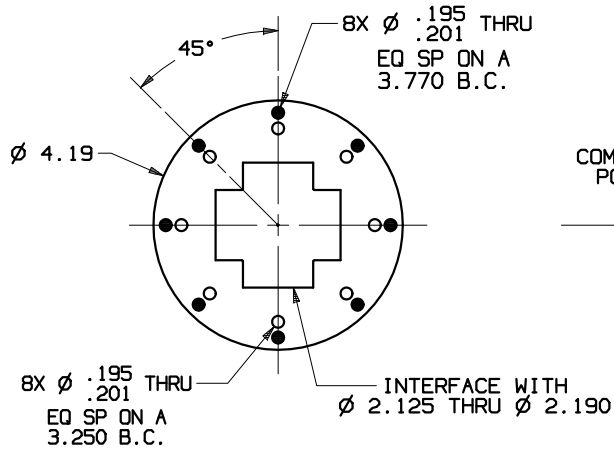
POWER HANDLING : 2 KW CW

PRESSURIZATION : SEALED TO 2.0 PSIG

FINISH:
FLANGE FACES: Zn-Ni PLATED PER AMS-2417G
TYPE II, CLASS 2
EXTERIOR: WHITE PAINT, COLOR
NO. 17875 PER FED-STD-595

REVISIONS

REV	DESCRIPTION	DATE	APPROVED
E	SEE ECN #2879	06-15-10	



NOTES: UNLESS OTHERWISE SPECIFIED.

UNLESS OTHERWISE SPECIFIED		SIGNATURES		DATE		GENERAL DYNAMICS PROPRIETARY			
DIMENSIONS ARE IN INCHES		DRAWN: L. TOVALIN		12-30-97		GENERAL DYNAMICS SATCOM Technologies 3111 Fujita St., Torrance, CA 90505, (310) 539-6704			
TOLERANCES-		CHECKED: H. SPIELEDER		11-05-98					
SURFACE .XX \pm .03		ENGRG:				C-BAND 2-PORT Rx/Tx			
63 .XXX \pm .004									
✓ ANGLES \pm						SIZE FSCM No. DWG No. 111890-3 REV C 50478 E			
MATERIAL		EAR CONTROLLED:							
ELECTROFORMED COPPER		Export or re-export subject to 15 CFR 700-799.							
FINISH									