

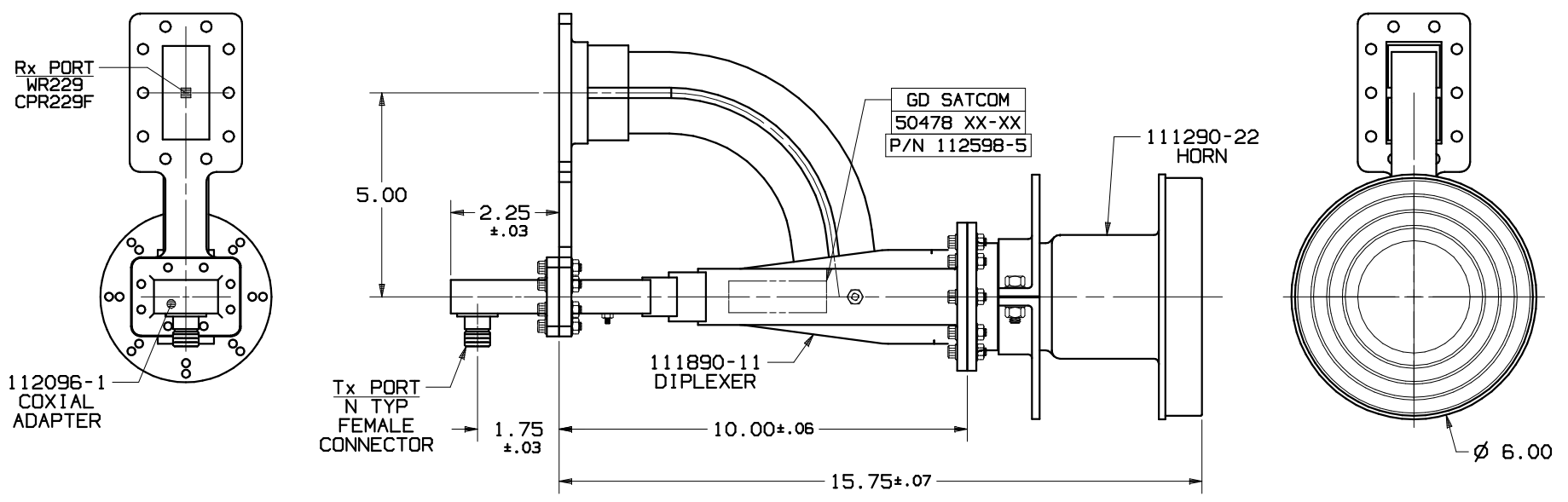
SPECIFICATIONS

FREQUENCY BAND	Rx: 3.400 - 4.200 GHz Tx: 5.850 - 6.725 GHz
INSERTION LOSS	Rx: 0.20 dB MAX Tx: 0.25 dB MAX
VSWR	Rx: 1.90:1 MAX AT 3.400 - 3.500 GHz : 1.45:1 MAX AT 3.500 - 3.625 GHz : 1.30:1 MAX AT 3.625 - 4.200 GHz Tx: 1.30:1 MAX AT 5.850 - 6.425 GHz : 1.45:1 MAX AT 6.425 - 6.725 GHz
ISOLATION	Tx/Rx: 85 dB MIN Rx/Tx: 40 dB MIN
CROSSPOL	: 30 dB MIN

PRESSURIZATION : SEALED TO 0.5 PSIG
FINISH: INTERIOR
 & FLANGE FACES: CHROMATE CONVERSION COATED
 (PER MIL-DTL-5541F,)
 (TYPE II, CLASS 1A)
EXTERIOR: WHITE PAINT, COLOR No 17875
 PER FED-STD-585

REVISIONS

REV	DESCRIPTION	DATE	APPROVED
C	SEE EC No 12724		



NOTES: UNLESS OTHERWISE SPECIFIED.

UNLESS OTHERWISE SPECIFIED INTERPRET DIMENSIONING & TOLERANCING PER ANSI Y14.5M-1982. DIMENSIONS ARE IN INCHES. DIMENSIONS SHOWN IN () ARE FOR REFERENCE ONLY. TOLERANCES ARE: SURFACE - TOLERANCES - .XX ±.01 .XXX ±.005 .XXXX ± ANGLES ±0°30' MATERIAL: 63 ✓	APPROVALS DRAWN: H. Lim CHECKED: H. Spieleder ENGRG: DA:	DATE 03-10-08 03-10-08	GENERAL DYNAMICS PROPRIETARY GENERAL DYNAMICS SATCOM Technologies 3111 Fujita St., Torrance, CA 90505, (310) 539-6704		
	EAR CONTROLLED: Export or re-export subject to 15 CFR 700-799.		C-BAND 2-PORT FEED 800 MHz		
	SCALE: 1:2		SIZE C 50478	FSCM No. 112598-5	DWG No. C
			SHEET 1		