

SPECIFICATIONS

FREQUENCY BAND Rx: 3.625 - 4.200 GHz
Tx: 5.850 - 6.425 GHz

INSERTION LOSS Rx: 0.15 dB MAX
Tx: 0.20 dB MAX

VSWR Rx: 1.30:1 MAX
Tx: 1.30:1 MAX

ISOLATION Tx/Rx: 70 dB MIN
Rx/Tx: 70 dB MIN

CROSSPOL : 35 dB MIN

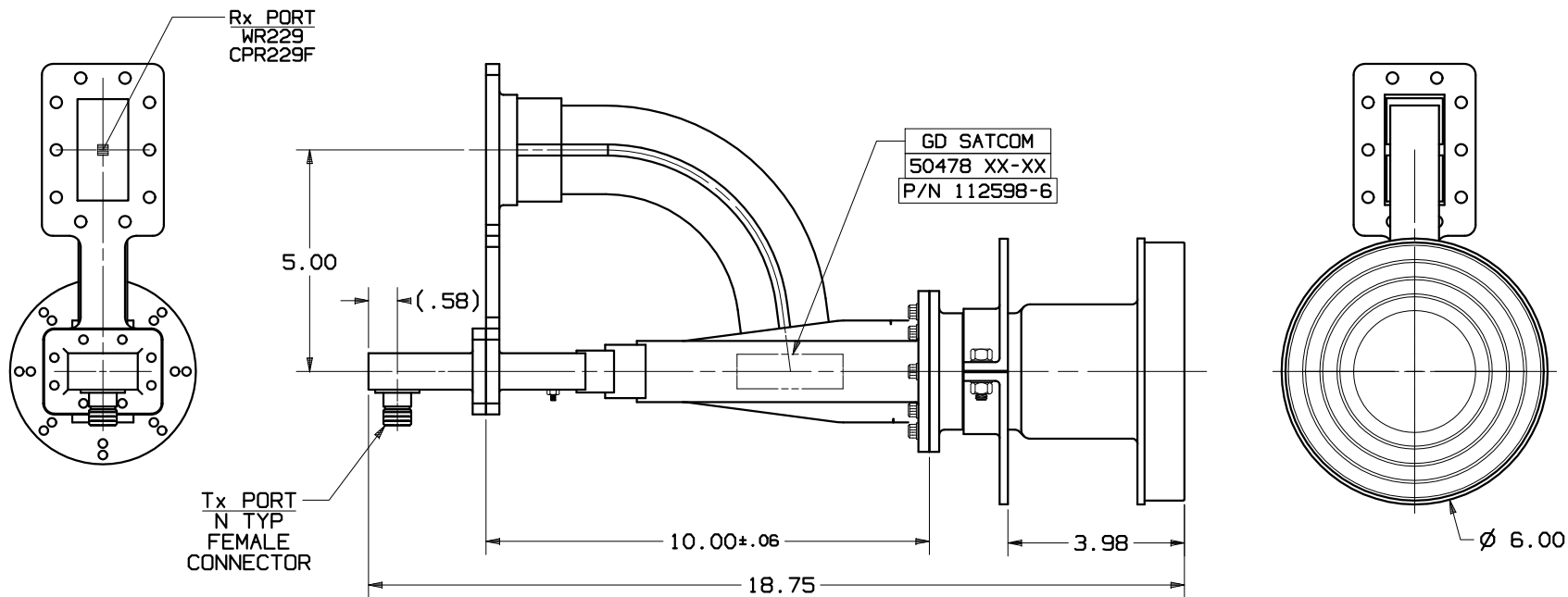
PRESSURIZATION : SEALED TO 0.5 PSIG

FINISH: INTERIOR
& **FLANGE FACES: CHROMATE CONVERSION COATED**
PER MIL-DTL-5541F,
TYPE II, CLASS 1A

EXTERIOR: WHITE PAINT, COLOR #17875
PER FED-STD-585

REVISIONS

REV	DESCRIPTION	DATE	APPROVED
-	INITIAL RELEASE	11APR13	



NOTES: UNLESS OTHERWISE SPECIFIED.

UNLESS OTHERWISE SPECIFIED INTERPRET DIMENSIONING & TOLERANCING PER ANSI Y14.5M-1982. DIMENSIONS ARE IN INCHES. DIMENSIONS SHOWN IN () ARE FOR REFERENCE ONLY. TOLERANCES ARE: SURFACE - TOLERANCES - .XX ± .03 .XXX ± .003 .XXXX ± ANGLES ±0°30' MATERIAL:	APPROVALS DRAWN: A. BACA CHECKED: ENGRS: DA:	DATE 11APR13	GENERAL DYNAMICS PROPRIETARY GENERAL DYNAMICS SATCOM Technologies 3111 Fujita St., Torrance, CA 90505, (310) 539-6704	
	EAR CONTROLLED: Export or re-export subject to 15 CFR 700-799.		C-BAND 2-PORT FEED LINEAR POLARIZED	
	SIZE C 50478		DWG No. 112598-6	
	SCALE: 1:2		SHEET 1	