



# 9000XAN-4

## 9000X-4 Single Band Ka-Band EXT REF LNB

**Frequency:** A: 18.2 - 19.2 GHz  
**W/G Isolator:** No  
**Output Connector:** N: 50 Ohm



### KEY SPECIFICATIONS

<b>Band</b>	Ka-Band
<b>External Ref Freq</b>	10 MHz (sine-wave), - 5 to +5 dBm
<b>Input Frequency Band 1</b>	18.20 - 19.20 GHz
<b>LO Frequency 1</b>	17.25 GHz
<b>LO Stability</b>	10 MHz Ext Ref
<b>LO Type</b>	EXT
<b>Noise Figure Max</b>	1.6 dB
<b>Noise Figure Typ</b>	1.5 dB
<b>Number Of Onboard Los</b>	Single-Band
<b>Output Frequency Band 1</b>	950 - 1950 MHz

### RF SPECIFICATIONS

<b>Conversion Gain Max</b>	65 dB
<b>Conversion Gain Min</b>	55 dB
<b>Conversion Gain Typ</b>	60 dB
<b>Gain Flatness (over Full Band)</b>	4 dB p-p max.
<b>Image Rejection</b>	40 dBc min.
<b>Input VSWR</b>	2.5 : 1 max.
<b>Output P1db</b>	+ 5 dBm min.
<b>Output VSWR</b>	2.5 : 1 max.
<b>Phase Noise 100khz Offset Max</b>	Depends on External Reference

### ELECTRICAL SPECIFICATIONS

<b>Current Consumption</b>	400 mA max.
<b>Power Requirements</b>	+12 to +24V DC

### INTERFACE SPECIFICATIONS

<b>IF Connector</b>	N-Connector
<b>Isolator</b>	No Isolator



RF Input Connector

WR-42 waveguide grooved

## M and C SPECIFICATIONS

Led Indicators

None

## ENVIRONMENTAL SPECIFICATIONS

IP Rating

IP 67

Temperature Operational

-40°C to +60°C

## PHYSICAL SPECIFICATIONS

Product Height

45.0 mm

Product Length

103.6 mm

Product Weight

0.42 kg

Product Width

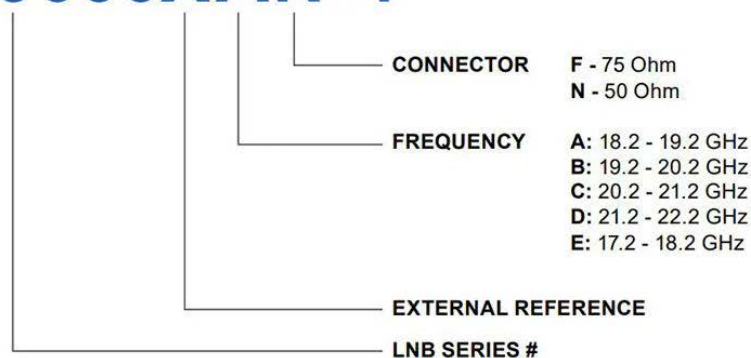
60 mm

## LOGISTICS SPECIFICATIONS

HS Code	Country of Origin	Ex Works	ECCN Number	Unit Package
8517690000	Made in the Republic of Korea	Richmond, BC, Canada	EAR99	140 x 95 x 65 mm   0.48 kg

## HOW TO ORDER

# 9000XAN-4



## MECHANICAL DIAGRAMS

