

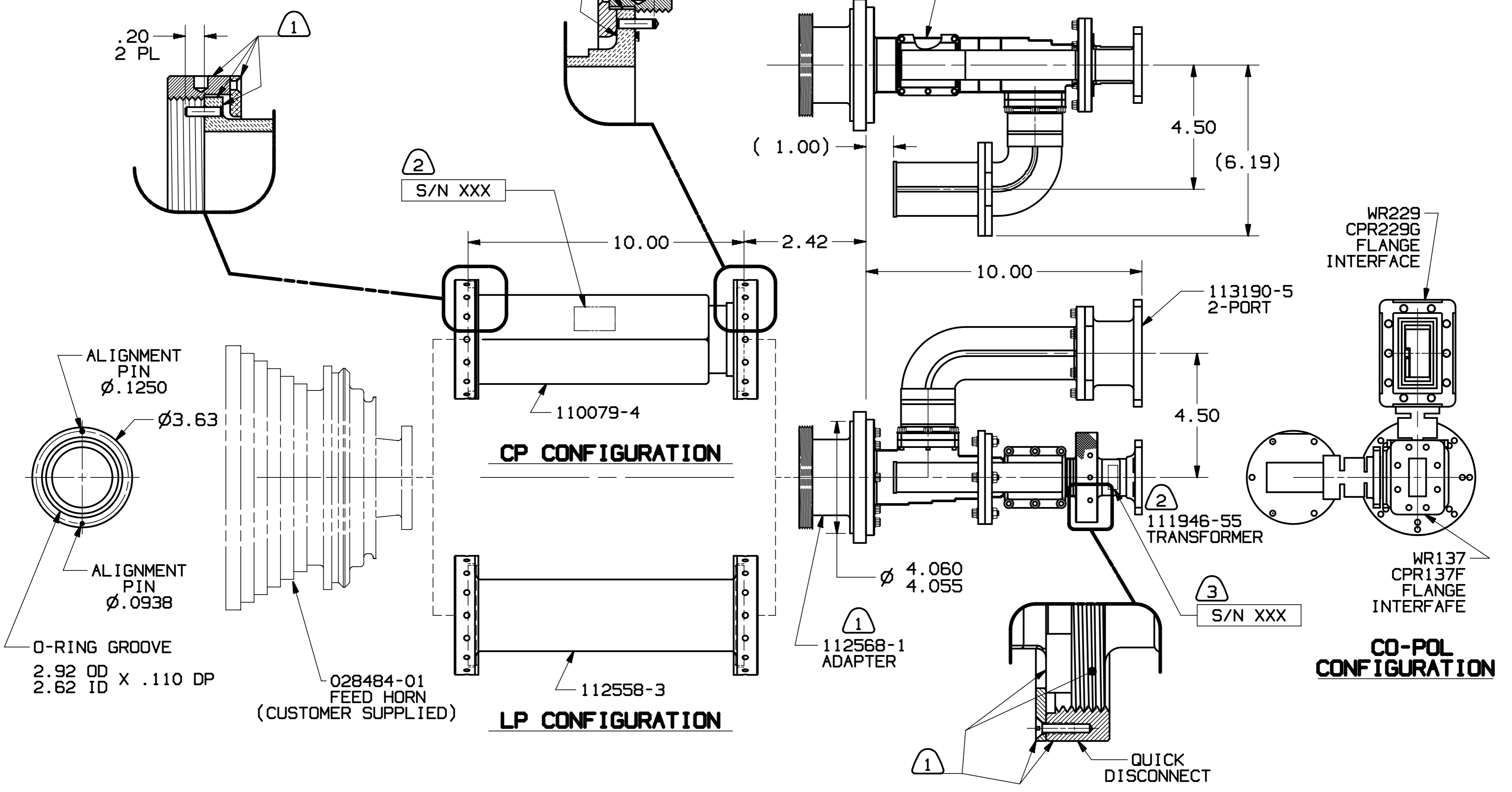
SPECIFICATIONS

SEE SHEET #2

REVISIONS

| REV | DESCRIPTION | DATE | APPROVED |
|-----|-------------------|----------|----------|
| J | SEE E.C.O. RECORD | 04-25-06 | |

GD SATCOM
50478 XX-XX
P/N 113113-3
S/N XXX



- ③ MARKING LABELS MUST HAVE IDENTICAL SERIAL NOs. FOR EACH ASSY.
 - ② TWO EACH PER ASSEMBLY.
 - ① COMPONENTS & SURFACES FREE-OF-PAINT
- NOTES: UNLESS OTHERWISE SPECIFIED.

| UNLESS OTHERWISE SPECIFIED | | SIGNATURES | DATE |
|----------------------------|---|----------------|----------|
| DIMENSIONS ARE IN INCHES | | DRAWN: TOVALIN | 01-13-05 |
| TOLERANCES- | | CHECKED: | |
| SURFACE | .X ±.1 | ENGRG: | |
| | .XX ±.03 | ENGRG: | |
| | .XXX ±.004 | | |
| | .XXXX | | |
| | ANGLES ±0° 30' | | |
| MATERIAL | EAR CONTROLLED: Export or re-export subject to 15 CFR 700-799. | | |
| FINISH | | | |

GENERAL DYNAMICS PROPRIETARY

GENERAL DYNAMICS
SATCOM Technologies
3111 Fujita St., Torrance, CA 90505, (310) 539-6704

**C-BAND 2-PORT FEED,
QUICK CONNECT**

| | | | |
|--------|--------------|----------|-----|
| SIZE | FSCM No. | DWG No. | REV |
| C | 50478 | 113113-3 | J |
| SCALE: | SHEET 1 of 3 | | |

SPECIFICATIONS FOR -3 CONGIGURATION

| X-POL CONFIGURATION CIRCULAR POLARIZER | CO-POL CONFIGURATION CIRCULAR POLARIZER | X-POL CONIGURATION LINEAR POLARIZER | CO-POL CONIGURATION LINEAR POLARIZER |
|--|--|--|--|
| <u>FREQUENCY BAND</u> RX: 3.625-4.200 GHz TX: 5.850-6.425 GHz | <u>FREQUENCY BAND</u> RX: 3.625-4.200 GHz TX: 5.850-6.425 GHz | <u>FREQUENCY BAND</u> RX: 3.625-4.200 GHz TX: 5.850-6.425 GHz | <u>FREQUENCY BAND</u> RX: 3.625-4.200 GHz TX: 5.850-6.425 GHz |
| <u>INSERTION LOSS</u> RX: 0.30 dB MAX TX: 0.20 dB MAX | <u>INSERTION LOSS</u> RX: 0.30 dB MAX TX: 0.20 dB MAX | <u>INSERTION LOSS</u> RX: 0.30 dB MAX TX: 0.20 dB MAX | <u>INSERTION LOSS</u> RX: 0.30 dB MAX TX: 0.20 dB MAX |
| <u>VSWR</u> RX: 1.30:1 MAX TX: 1.30:1 MAX | <u>VSWR</u> RX: 1.30:1 MAX TX: 1.30:1 MAX | <u>VSWR</u> RX: 1.30:1 MAX TX: 1.30:1 MAX | <u>VSWR</u> RX: 1.30:1 MAX TX: 1.30:1 MAX |
| <u>ISOLATION</u> TX/RX: 85 dB MIN | <u>ISOLATION</u> TX/RX: 85 dB MIN | <u>ISOLATION</u> TX/RX: 85 dB MIN | <u>ISOLATION</u> TX/RX: 85 dB MIN |
| <u>AXIAL RATIO</u> RX: 2.25 dB TX: 2.25 dB | <u>AXIAL RATIO</u> RX: 2.25 dB TX: 2.25 dB | <u>X-POL</u> : 35 dB | <u>X-POL</u> : 35 dB |
| <u>POWER HANDLING</u> : 1 KW CW | <u>POWER HANDLING</u> : 1 KW CW | <u>POWER HANDLING</u> : 1 KW CW | <u>POWER HANDLING</u> : 1 KW CW |
| <u>PRESSURIZATION</u> : TESTED TO 1 PSIG | <u>PRESSURIZATION</u> : TESTED TO 1 PSIG | <u>PRESSURIZATION</u> : TESTED TO 1 PSIG | <u>PRESSURIZATION</u> : TESTED TO 1 PSIG |
| <u>FINISH</u> INTERIOR: CHEM FILMED PER MIL-C-5541C, CLASS 1A EXTERIOR: NONE | <u>FINISH</u> INTERIOR: CHEM FILMED PER MIL-C-5541C, CLASS 1A EXTERIOR: NONE | <u>FINISH</u> INTERIOR: CHEM FILMED PER MIL-C-5541C, CLASS 1A EXTERIOR: NONE | <u>FINISH</u> INTERIOR: CHEM FILMED PER MIL-C-5541C, CLASS 1A EXTERIOR: NONE |