



9000XEF-4

9000X-4 Single Band Ka-Band EXT REF LNB

Frequency: E: 17.2 - 18.2 GHz

W/G Isolator: No

Output Connector: F: 75 Ohm



KEY SPECIFICATIONS

Band	Ka-Band
External Ref Freq	10 MHz (sine-wave), - 5 to +5 dBm
Input Frequency Band 1	17.20 - 18.20 GHz
LO Frequency 1	16.25 GHz
LO Stability	10 MHz Ext Ref
LO Type	EXT
Noise Figure Max	1.6 dB
Noise Figure Typ	1.5 dB
Number Of Onboard Los	Single-Band
Output Frequency Band 1	950 - 1950 MHz

RF SPECIFICATIONS

Conversion Gain Max	65 dB
Conversion Gain Min	55 dB
Conversion Gain Typ	60 dB
Gain Flatness (over Full Band)	4 dB p-p max.
Image Rejection	40 dBc min.
Input VSWR	2.5 : 1 max.
Output P1db	+ 5 dBm min.
Output VSWR	2.5 : 1 max.
Phase Noise 100khz Offset Max	Depends on External Reference

ELECTRICAL SPECIFICATIONS

Current Consumption	400 mA max.
Power Requirements	+12 to +24V DC

INTERFACE SPECIFICATIONS

IF Connector	F-Connector
Isolator	No Isolator



RF Input Connector

WR-42 waveguide grooved

M and C SPECIFICATIONS

Led Indicators

None

ENVIRONMENTAL SPECIFICATIONS

IP Rating

IP 67

Temperature Operational

-40°C to +60°C

PHYSICAL SPECIFICATIONS

Product Height

45.0 mm

Product Length

103.6 mm

Product Weight

0.42 kg

Product Width

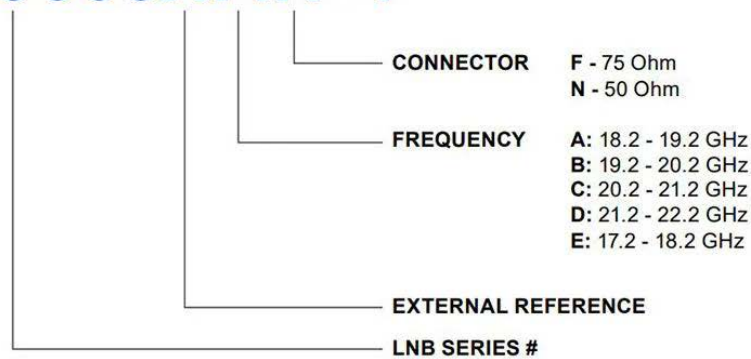
60 mm

LOGISTICS SPECIFICATIONS

HS Code	Country of Origin	Ex Works	ECCN Number	Unit Package
8517690000	Made in the Republic of Korea	Richmond, BC, Canada	EAR99	140 x 95 x 65 mm 0.48 kg

HOW TO ORDER

9000XAN-4



MECHANICAL DIAGRAMS

